

4-Leg Frame Comparison

UPLIFT V2 & UPLIFT V2-Commercial

FRMA-4-SRD & FRMA-4-COM



Contract-Grade
Quality



30-Day
Trial



15 Year
Warranty



Fast
Assembly



Fast, Free
Shipping



UPLIFT V2

Introducing the most advanced height adjustable frame: the UPLIFT V2 4-Leg Standing Desk Frame. We've taken our previous frame design and increased its safety, improved its stability, and added multiple features.



UPLIFT V2 Commercial

We created the UPLIFT V2 Commercial 4-Leg Standing Desk Frame to provide a seated and standing height range that's ergonomically suitable for 95% of office workers. This frame (with a 1" thick desktop) meets the ANSI/BIFMA G1-2013 height standard required by many of the world's largest companies, which accommodates users from 5' tall seated to 6'3" tall standing.



Similarities



535-Lb Lifting Capacity

Enough lifting power to handle even the larger desk setups



Improved Stability

We tightened the tolerance between the three telescoping stages of the legs for a more precise fit



Quad Motor Design

Stronger, more reliable, & quieter



Superior Anti-Collision Sensitivity

Superior anti-collision technology quickly detects light resistance if objects or people are in the desk's path, and stop the frame's motion to help prevent accidents or injuries



41.3"-72.2" Width Adjustment

Frame expands to fit our 60"-80" desktop sizes



Included Under-Desk Wire Management



Contract-Grade Quality

Designed for commercial-level use and constructed from highly durable materials



3-Stage Legs

Our legs are 33% faster and have a 33% greater height range than competitors' 2-stage frames



Whisper-Quiet

Adjusts quietly at a peaceful 50 dB



Available in 4 Color Options

Color options include black, white, gray, & industrial style



Meets BIFMA X5.5-2014 Durability Standard¹



Differences

UPLIFT V2



25.5"-51.1" Height Range

This range includes a 1" desktop. The total travel distance is 25.6"



Stability Brace

Steel reinforcements are tucked under the desktop and eliminate side-to-side wobble. Stability braces remove the need for a lower crossbar, leave more room for accessories, and create a clean, streamlined look



Inverted Leg Orientation

Inverted leg orientation allows us to weld stability braces to both sides. This gives your desk optimal stability without the need for a stability crossbar



For a more in-depth look at the similarities and differences between the frames, [watch our video!](#)

UPLIFT V2 Commercial



22.6"-48.7" Height Range

This range includes a 1" desktop, meeting the ANSI/BIFMA height requirement. Total travel distance is 26.1"



Stability Crossbar

We included a stability crossbar to support this lower-height-range frame, which lets you work at higher heights without your desk wobbling



Thicker Legs

These legs have a 35% larger cross-sectional area to improve stability (90 mm x 60 mm vs 80 mm x 50 mm)

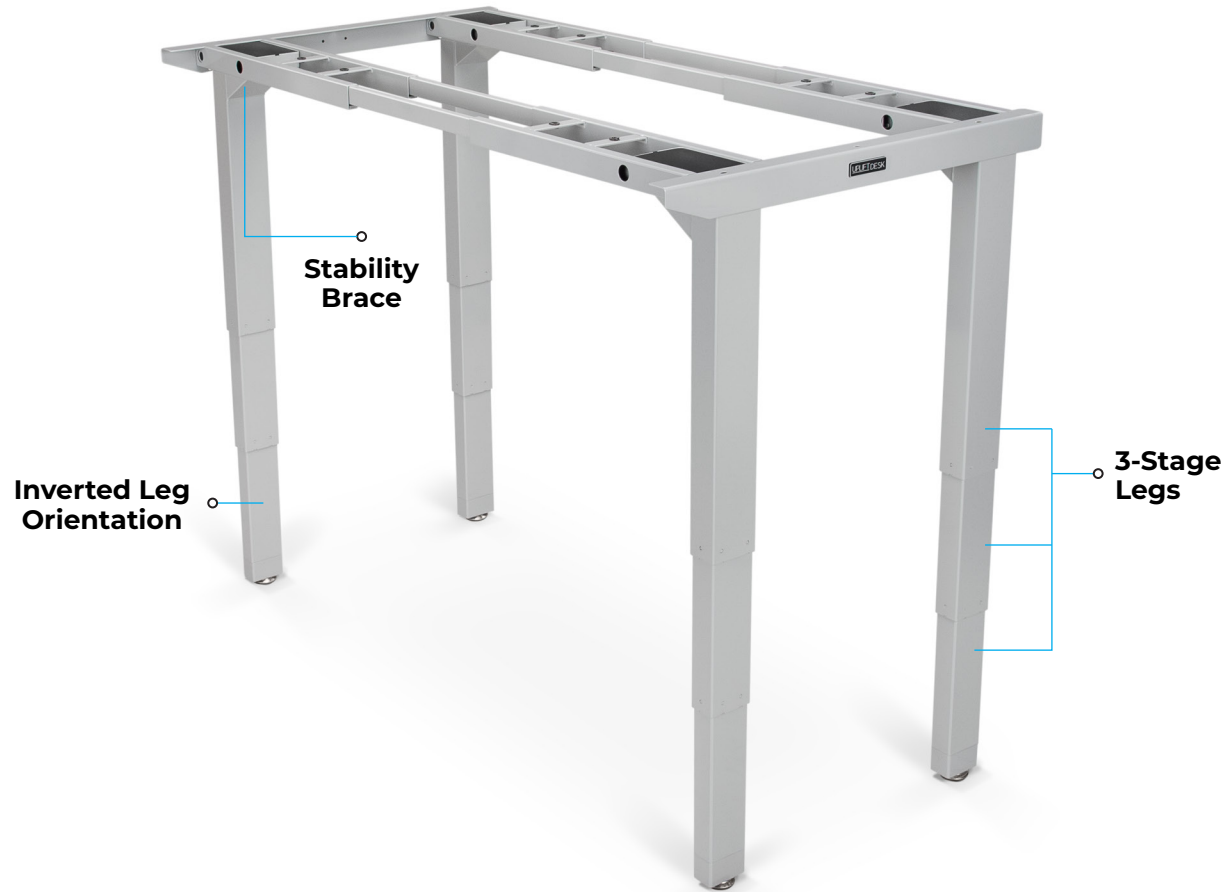


Meets ANSI/BIFMA G1-2013 Height Standard²

1. This BIFMA X5.5-2014 Standard tests the durability of the desk (desk loading, stability, racking, leg strength, vertical adjustment, cycle testing, etc.). This standard specifies acceptance levels to help ensure reasonable safety and performance.

2. Ideal for office spaces that choose ANSI/BIFMA G1-2013 compliance, this frame accommodates the widest range of potential employees, adjusts 2" lower than standard frames, and is a solution for users who are very petite or very tall (within a 5' to 6'3" height range). Please note that compliance with ANSI/BIFMA G1-2013 requires the use of a 1" desktop.

UPLIFT V2 4-Leg Frame

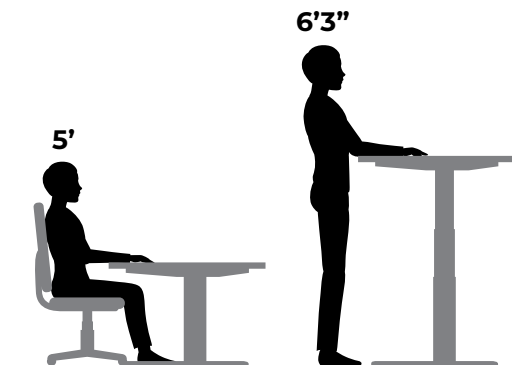
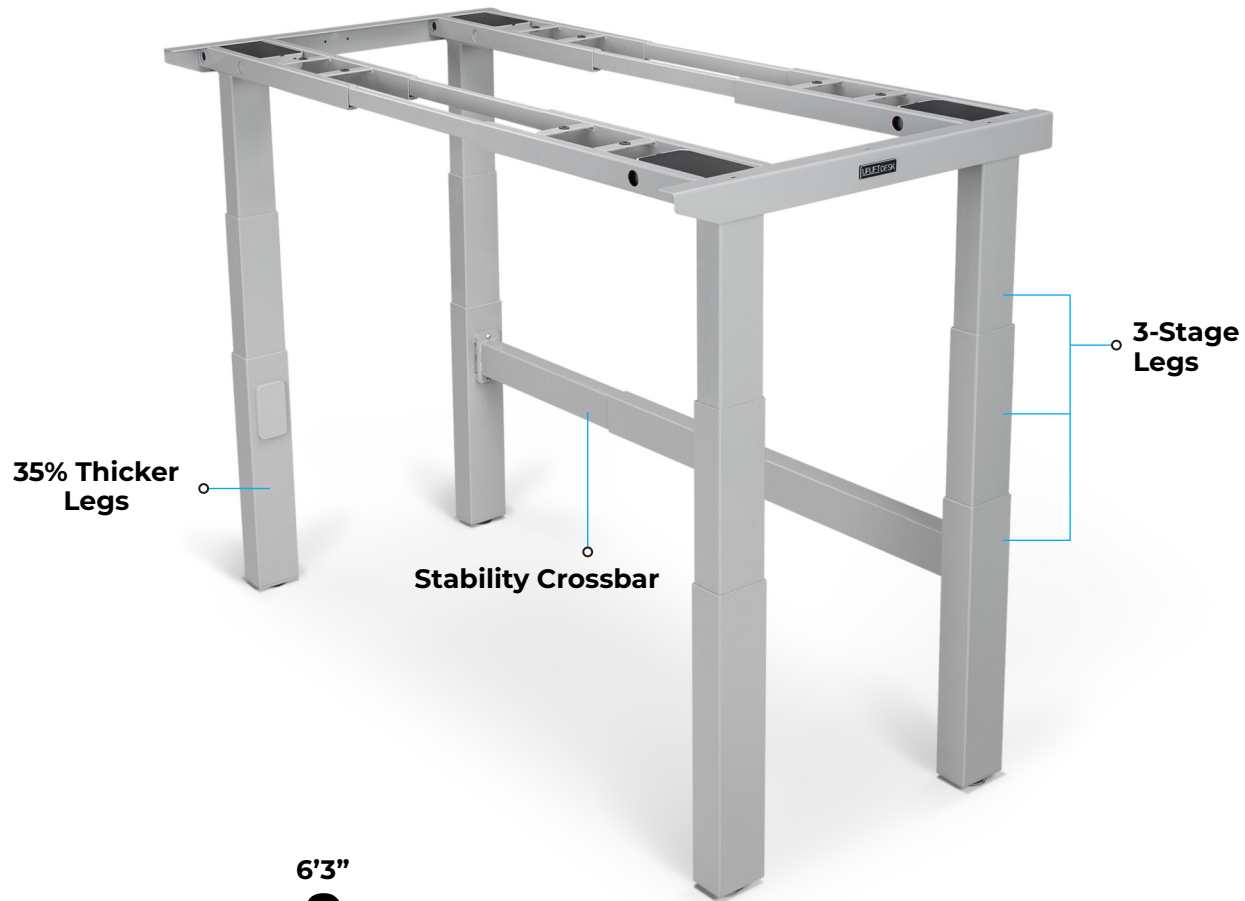


Introducing the UPLIFT V2 4-Leg Frame

We've taken our previous 4-leg frame and improved its stability, increased its safety, and added a number of innovative features. Engineered for quick, reliable height adjustment, the reinforced UPLIFT V2 4-Leg Frame includes four separate motors and an inverted leg design, which keeps the desk sturdy at its highest height. Choose between white, gray, black, and industrial style finishes for the perfect look.



UPLIFT V2 Commercial 4-Leg Frame



One Size Fits All

Our UPLIFT V2 Commercial 4-Leg Standing Desk Frame is designed to fit a wide range of users, and meet the ANSI/BIFMA G1-2013 height requirement standard (when used with a 1" thick desktop). This makes our desk suitable for most users, accommodating a seated 5th percentile (5'0") to a standing 95th percentile (6'3").