

UPLIFT DESK®

FRAME COLOR AND STYLE



Frames are available in three colors:

Black



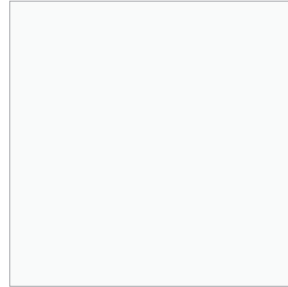
RAL 9005 (Jet Black)
Pantone Black

Gray



RAL 7045 (Telegray 1)
Pantone 423 C

White



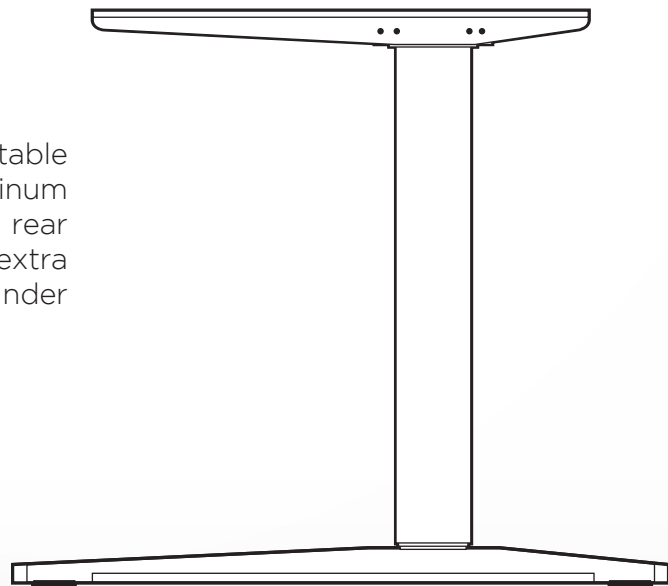
RAL 9016 (Traffic White)
Pantone 705

Metallic - Industrial Style



Note: varying degrees of gloss and powder coat can slightly change on the final product when compared to standardized color charts like RAL and Pantone.

The UPLIFT Desk frame comes in a stable C Shape. It features stiffer, cast aluminum feet, with the legs offset towards the rear of the desk. This positioning provides extra stability and 3.5" of additional space under the desktop for accessory installation.



UPLIFT DESK[®] FRAME COLOR AND STYLE

Height range	24.5" - 50.25"
Base width	Adjustable from 26" - 70" W
Travel speed	1.5"/second (varies - slowest with maximum load) with soft start/stop actuator motors
Sound level	45 decibels during motion
Weight capacity	355 lbs
Keypad	Advanced 1-touch digital memory keypad is available Push and hold up/down keypad comes standard
Voltage	Input: 110 V Output: 31 V
Adjustable foot leveling studs	3/8" adjustment for uneven flooring
Transformer power	200 W (0.2 W on standby)
Power supply current	5 amps
BIFMA/ANSI X5.5-2008 Certified	Yes
Warranty	7-year all-inclusive warranty on the entire desk base, which includes the motor, frame, controller, keypad, electronics and mechanisms. 12-year extended warranty available.

UPLIFT DESK[®] FRAME COLOR AND STYLE

Features

- 25.75" of height adjustment, soft start and stop, and an eco-friendly low-draw transformer
 - Telescopes to fit various desktop sizes
 - Crossbar positioned directly under desktop for more leg room
 - Powder-coated finish with no VOCs or off-gassing
 - Control box with haul sensor aligns feet for speed
 - Assembled in Austin, Texas from parts sourced both globally and within the USA
-

Our frames are expandable to fit desktop sizes between 26" - 96" wide. If you decide to change your top size in the future, there's no need to get an entirely new desk; simply adjust the frame to fit your new desktop. If you go from a very large to a very small top or vice versa, you may need to purchase additional components. For example, if you start with a top that's 30" deep and switch to a top that's 24" deep, you may want to purchase shorter feet so they don't stick out beyond the surface of the desktop.

Frames feature a motor in each leg for fast, quiet height adjustment. Motors are spindle-in-spindle, which means there is less chance of slippage or looseness as is found in chain or belt motors. Both frames go high enough to accommodate 95% of the population; users over 6' 6" may want to purchase the optional locking casters, which provide an extra 1.5" of height to the desk.

