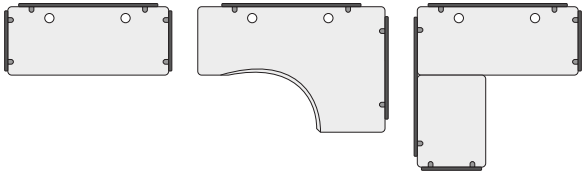


# 2020 Typicals

by UPLIFT Desk

## Grouped Singles

Groups of solo rectangular or L-Shaped desks



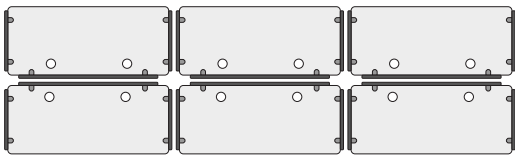
## The Simple Row

Simple single line of rectangular desks



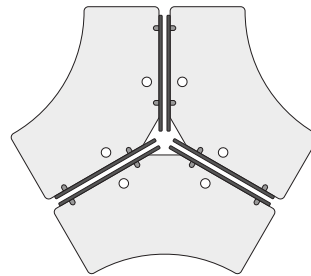
## The Bench

Straight Line System with 2, 4, 6, or 8 Desks



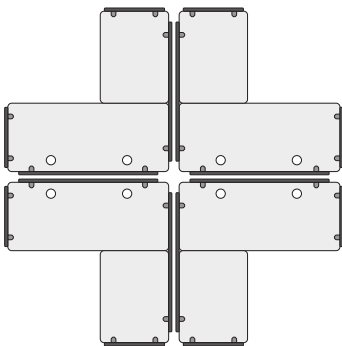
## The 120 Trio

Triple 120 Degree Workstations



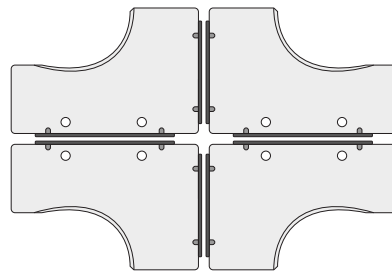
## The Executive Quad

Quick-Ship L-Shaped Workstation



## The Eco Quad

Eco L-Shaped Workstation



## The Dog-Bone

Six 120 Degree Workstations connected by two 24" desks

