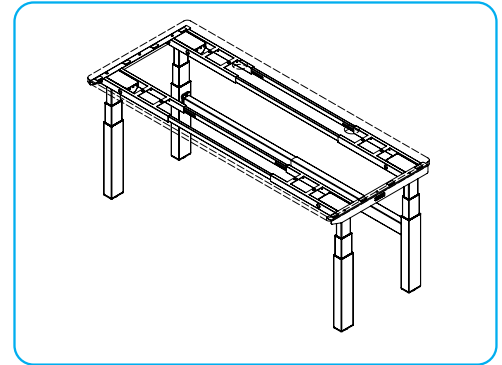
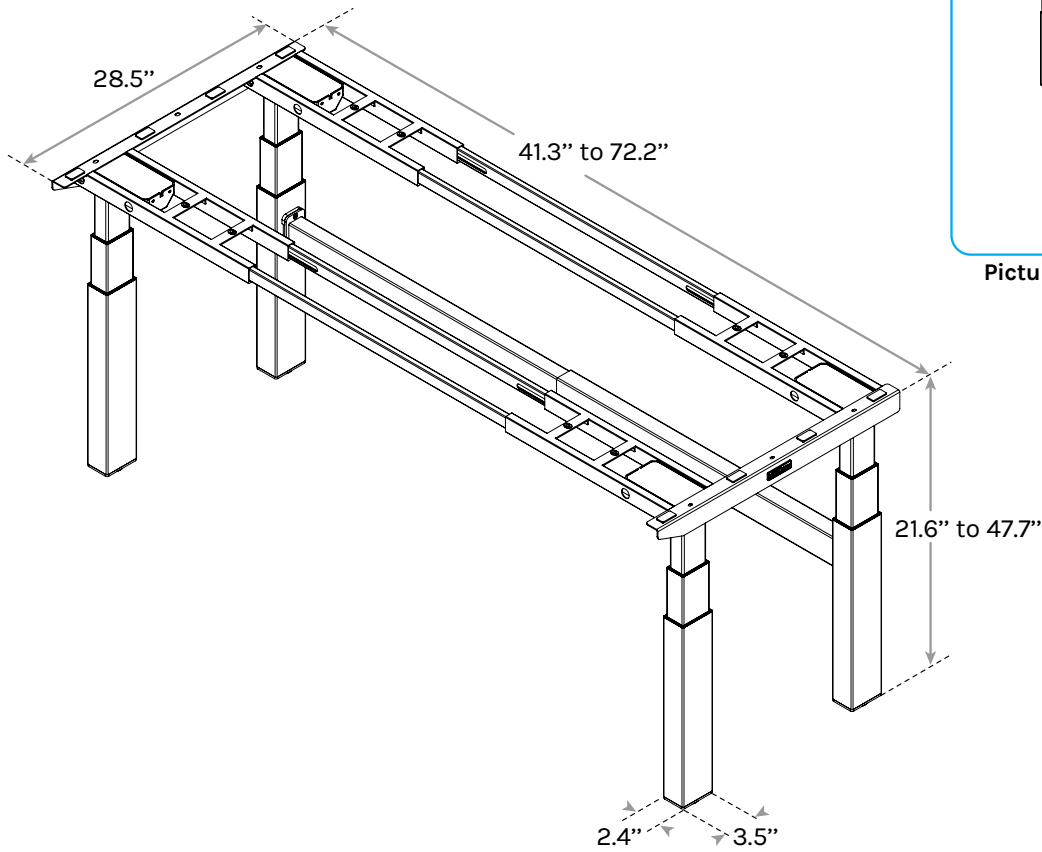


UPLIFT V2-Commercial 4-Leg Standing Desk

SKU: FRMA-4

Specifications



Pictured: frame and desktop placement



**Contract-grade
Quality**

Height Range	21.6"-47.7"
Travel Speed	1.57"/second
Noise Level	50 dB
Lifting Capacity	535 lbs
Current	5 amps max (during movement)
Voltage Input	100-120Vac, 50/60Hz, 600W max
Warranty	15 year

BIFMA Meets BIFMA G1-2013 Height Standard



Quad Motor Design



3-Stage Legs Are 33% Faster Than 2-Stage Legs



Superior Anti-Collision Sensitivity



Whisper-Quiet Adjustment



Stability Crossbar



Improved Stability with 33% Larger, Precision Tolerance Legs



Available in 4 Color Options



Included Under-Desk Wire Management



Meets BIFMA X5.5-2014 Durability Standard



For help with assembly, see our assembly video at upliftdesk.com/4leg-com

For technical questions and support call 800-349-3839, email info@upliftdesk.com, or visit our chat service at upliftdesk.com