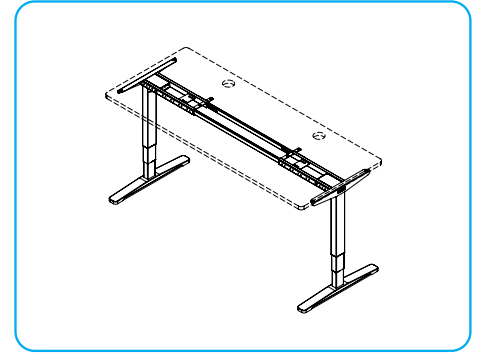
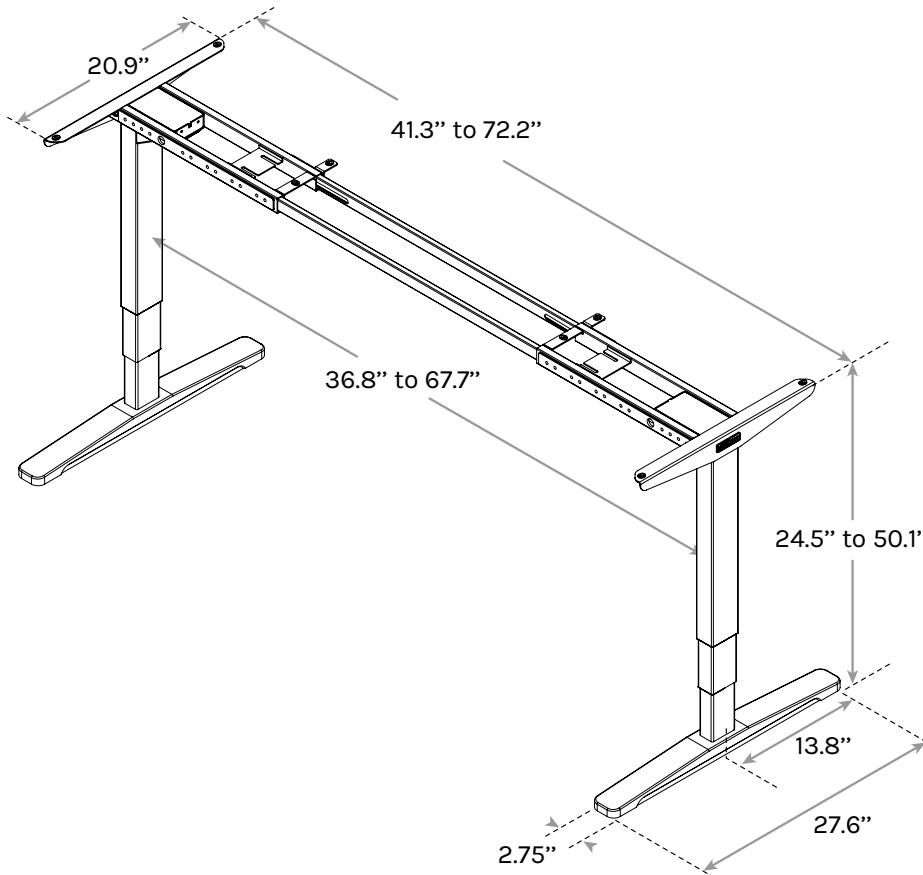


# UPLIFT V2 Standing Desk T-Frame

SKU: FRMA-2

## Specifications



Pictured: frame and desktop placement



**Contract-grade  
Quality**

<b>Height Range</b>	24.5"-50.1"
<b>Travel Speed</b>	1.57"/second
<b>Noise Level</b>	50 dB
<b>Lifting Capacity</b>	355 lbs
<b>Current</b>	4 amps max (during movement)
<b>Voltage Input</b>	100-120Vac, 50/60Hz, 400W max



**Dual Motor Design**



**3-Stage Legs Are 33%  
Faster Than 2-Stage Legs**



**Superior Anti-Collision  
Sensitivity**



**48 Accessory  
Mounting Points**



**Stability Brace  
on Each Leg**



**Improved Stability  
with Precision  
Tolerance Legs**



**Whisper-Quiet  
Adjustment**



**Included Under-Desk  
Wire Management**



**Available in 4 Color  
Options**



**Meets BIFMA X5.5-2014  
Durability Standard**



For help with assembly, see our assembly video at [upliftdesk.com/2leg-srd-t](https://upliftdesk.com/2leg-srd-t)

For technical questions and support call **800-349-3839**, email [info@upliftdesk.com](mailto:info@upliftdesk.com), or visit our chat service at [upliftdesk.com](https://upliftdesk.com)

**Warranty:** Most UPLIFT Desk products carry a 10-Year warranty (some carry a 5-Year or 1-Year warranty).

Visit <https://upliftdesk.com/warranty> for this particular product's warranty policy.