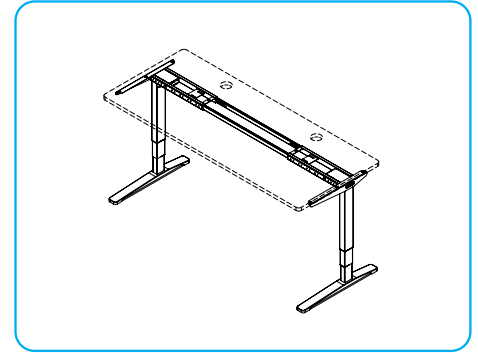


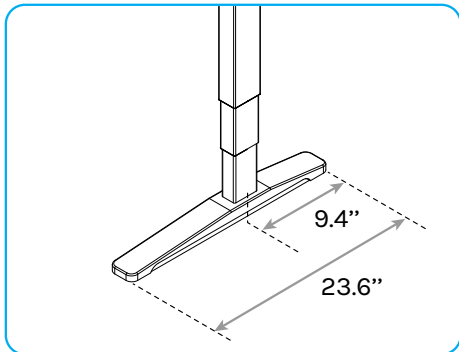
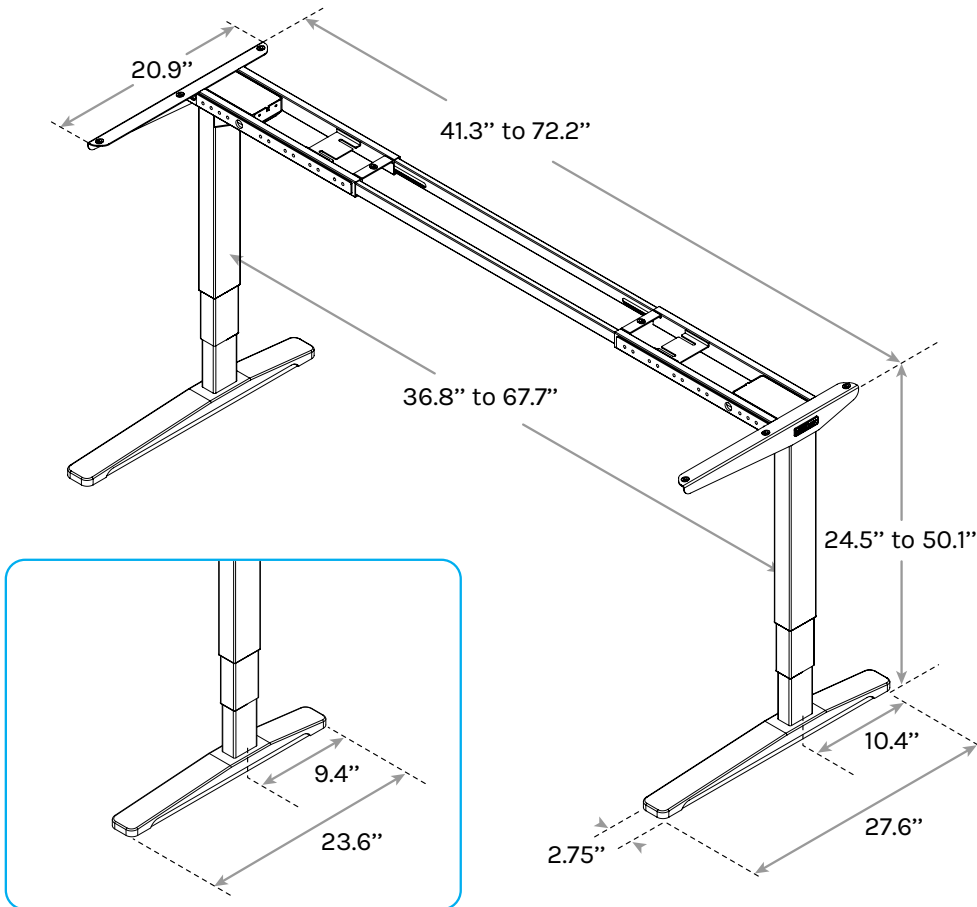
UPLIFT V2 Standing Desk

SKU: FRMA-2

Specifications



Pictured: frame and desktop placement



**Contract-grade
Quality**

Also available with shorter feet for 24" deep and 120° desktops

Height Range	24.5"-50.1"
Travel Speed	1.57"/second
Noise Level	50 dB
Lifting Capacity	355 lbs
Current	4 amps max (during movement)
Voltage Input	100-120Vac, 50/60Hz, 400W max

 **Dual Motor Design**

 **3-Stage Legs Are 33% Faster Than 2-Stage Legs**

 **Superior Anti-Collision Sensitivity**

 **48 Accessory Mounting Points**

 **Stability Brace on Each Leg**

 **Improved Stability with Precision Tolerance Legs**

 **Whisper-Quiet Adjustment**


 **Included Under-Desk Wire Management**



For help with assembly, see our assembly video at upliftdesk.com/2leg-srd

 **Available in 4 Color Options**

 **Meets BIFMA X5.5-2014 Durability Standard**

 For technical questions and support call **800-349-3839**, email info@upliftdesk.com, or visit our chat service at upliftdesk.com

Warranty: Most UPLIFT Desk products carry a 10-Year warranty (some carry a 5-Year or 1-Year warranty).

Visit <https://upliftdesk.com/warranty> for this particular product's warranty policy.