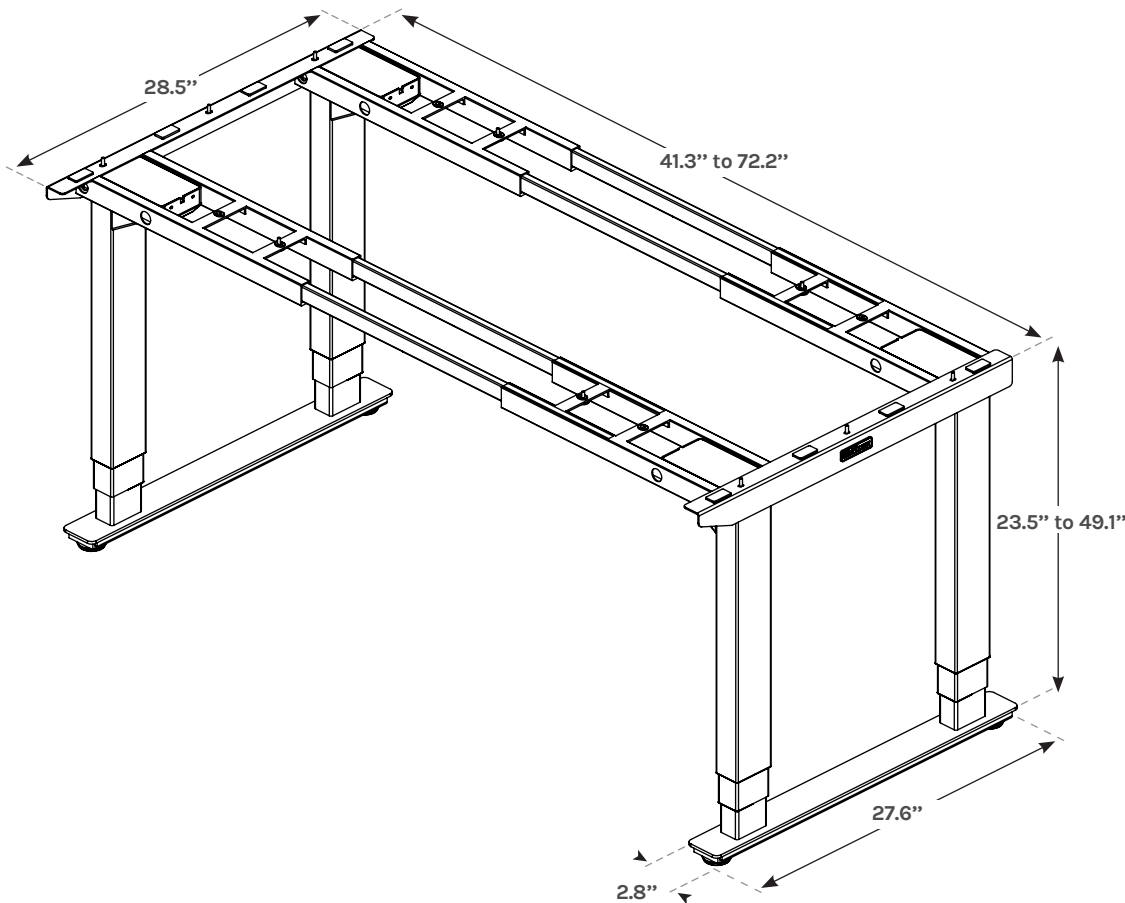


UPLIFT V2 4-Leg Standing Desk

SKU: FRM580

Specifications



Contract-grade
Quality



Quad Motor Design



3-Stage Legs Are 33%
Faster Than 2-Stage Legs



Superior Anti-Collision
Sensitivity



Whisper-Quiet
Adjustment



Stability Brace on Each
Leg



Improved Stability with
Precision Tolerance Legs



Available in 4 Color
Options



Included Under-Desk
Wire Management



For a more in-depth look at this product, see our product video at upliftdesk.com/4leg-srd



Meets BIFMA X5.5-2021
Durability Standard



Copyright Notice: This guide is a component of this UPLIFT Desk product. This guide is a part of the scope of delivery, even if the item is resold. This guide is also available on the UPLIFT Desk website: upliftdesk.com. These specifications are subject to United States copyright law.

Specifications (continued)

Height range	23.5" - 49.1" H (24.5" - 50.1" H with 1" desktop)
Height travel	25.6"
Width range	41.3" - 72.2"
Desktop width compatibility	42" - 80" wide desktops. The frame needs a 42" wide desktop, at minimum. Please note that the standard grommet placement for 42" and 48" wide UPLIFT desktops will not work with the 4-leg frame as the frame interferes with the grommets for those widths.
Travel speed	1.6" per second with soft start/stop actuator motors, depending on load
Noise level	Less than 50 decibels during motion, silent when not in motion
Lifting capacity	535 lb (inclusive of desktop weight)
Adjustable foot leveling studs	0.38" adjustment for uneven flooring
Electrical input	100-120VAC, 50/60Hz (600W max)
Desktop thickness	1" - 1.75", depending on desktop style
Desktop width	60" or wider
ANSI/BIFMA X5.5-2021 desk standard	Both the UPLIFT V2 and UPLIFT V2-Commercial Frame are compliant to ANSI/BIFMA X5.5-2021 Desk/Table Products for safety, durability, and structural performance including Height Adjustable Desk/Table Surface tests.
ANSI/BIFMA G1-2013 height standard	<p>UPLIFT V2-Commercial Frame is ANSI/BIFMA G1-2013 Height Standard compliant when used with a 1" thick desktop.</p> <p>This makes the V2-Commercial desk suitable for most users, accommodating a seated 5th percentile (5'0") to a standing 95th percentile (6'3").</p> <p>Add a keyboard tray as you configure your desk. With a keyboard tray the V2-Commercial desk accommodates users 4'34" tall and up, while the V2 desk accommodates users 4'8" tall and up.</p>
CAN/CGSB 44.227-2008E certification	Canadian desktop deflection specification compliant with section 6.6.1/8.4 Surface Deflection
Safety certifications	UL (U.S.)/CSA (Canada): Lifting Column, Power Cord, & Control Box
Shipping dimensions	<p>Desktop dimensions will vary depending on selection</p> <p>All Frame Types:</p> <p>Frame Box 1: 12" W x 10" H x 42" D, 66 lb Frame Box 2: 12" W x 10" H x 42" D, 56 lb</p> <p>V2 Frames:</p> <p>V2 Frame Feet Box: 5.5" W x 3.9" H x 31.3" D, 15 lb</p>