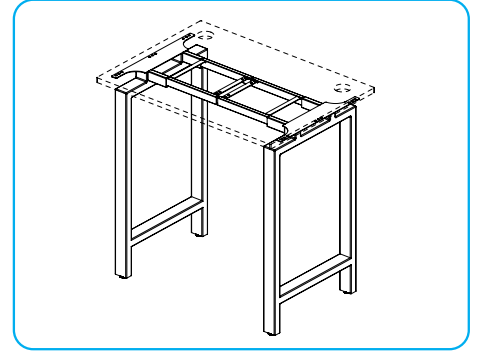
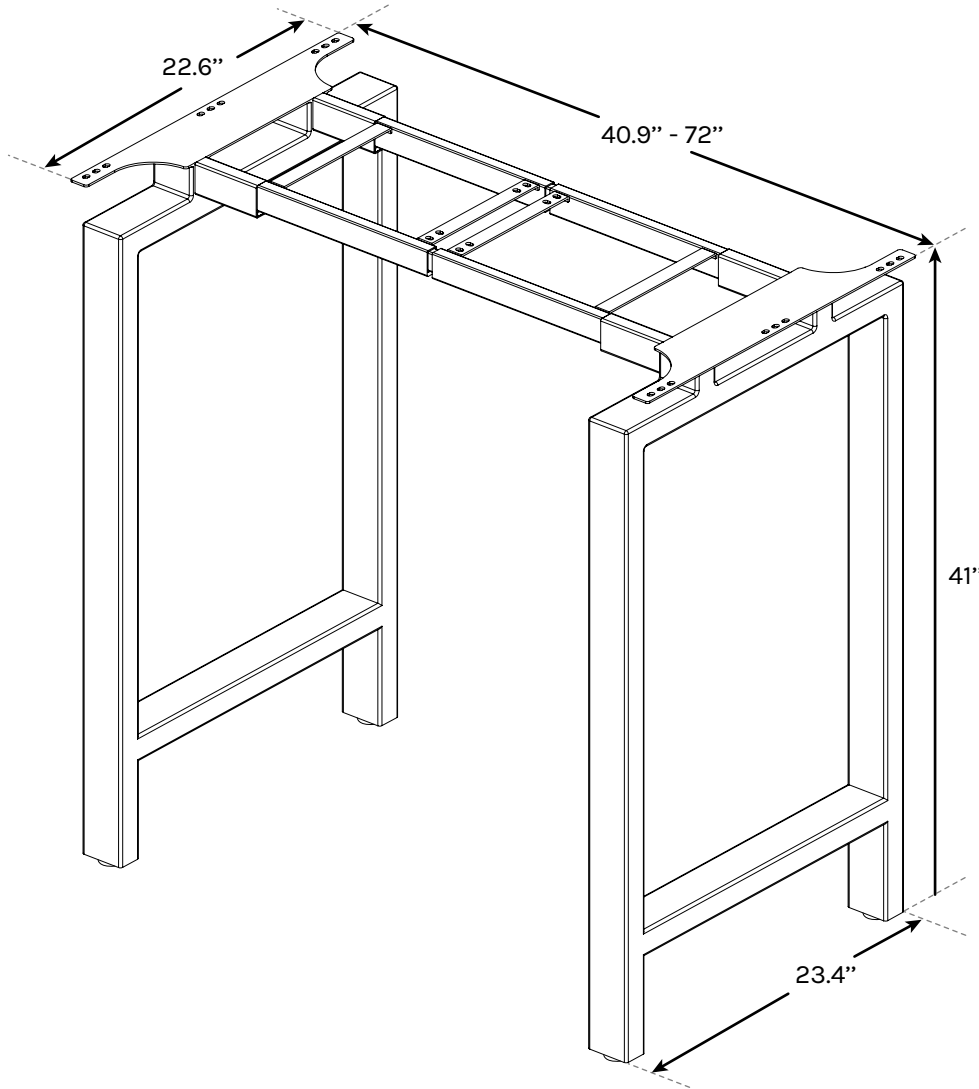


# 4-Leg Standing Height Side Table Frame

SKU: FRM413

## Specifications

Accommodates UPLIFT Desk standard rectangular desktops between 42" - 80" wide and 24" to 30" deep



Pictured: frame and desktop placement



**Contract-grade  
Quality**

<b>Construction</b>	Steel
<b>Colors</b>	Black, Gray, White, Industrial Style
<b>Weight Capacity</b>	355 lb
<b>Warranty</b>	15 year



**Available in 4 Color  
Options**



**Telescoping Design  
for Adjustable Width**



For help with assembly, find our assembly instructions at <https://bit.ly/3zYk2kx>

**i** For technical questions and support call 800-349-3839, email [info@upliftdesk.com](mailto:info@upliftdesk.com), or visit our chat service at [upliftdesk.com](https://upliftdesk.com)