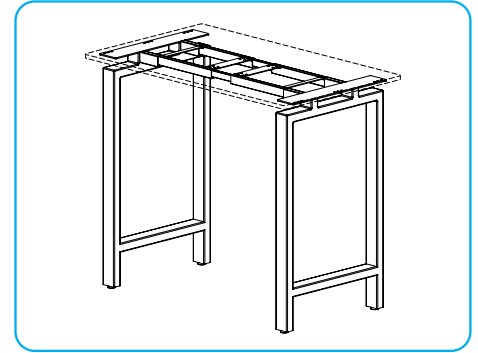
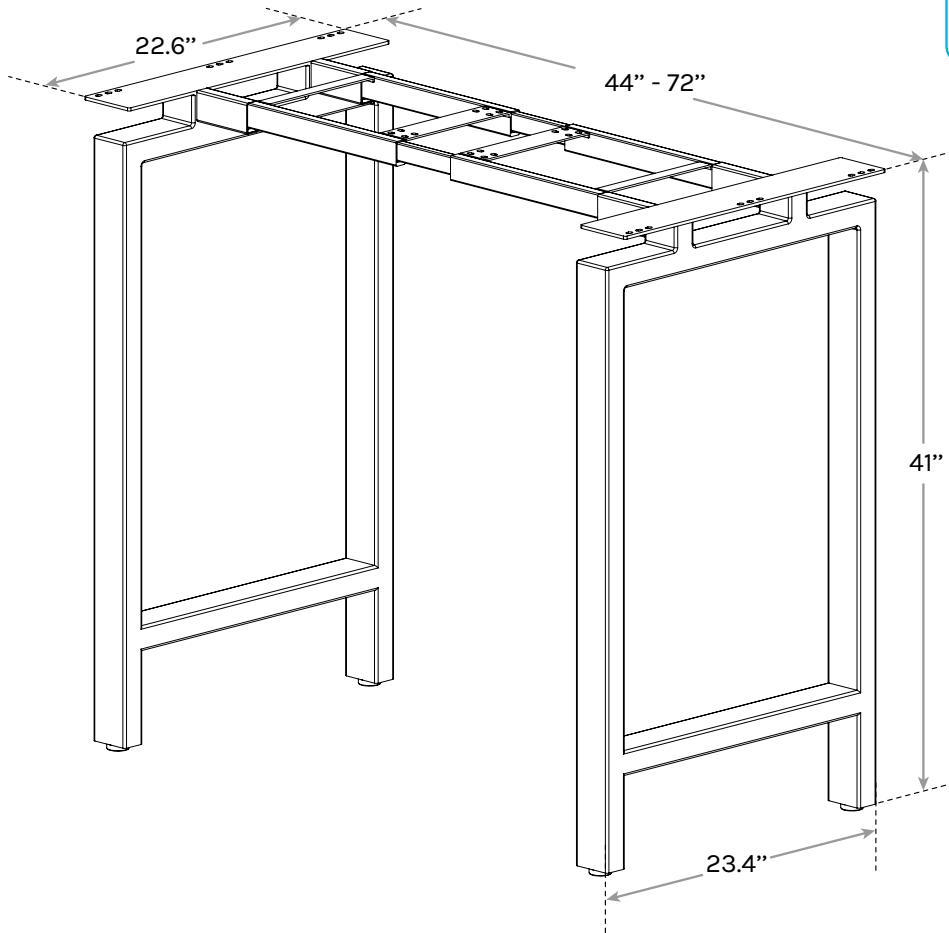


4-Leg Standing Height Side Table Frame

SKU: FRM403

Specifications

Accommodates UPLIFT Desk standard rectangular desktops between 48" - 80" wide and 24" to 30" deep



Pictured: frame and desktop placement



**Contract-grade
Quality**

Construction Steel

Width Range 44" - 72"

Weight Capacity 330 lbs



**Available in 4 Color
Options**



**Telescoping Design
for Adjustable Width**



For help with assembly, find our assembly instructions at <http://bit.ly/2ZLvAFI>

i For technical questions and support call **800-349-3839**, email info@upliftdesk.com, or visit our chat service at upliftdesk.com

Warranty: Most UPLIFT Desk products carry a 10-Year warranty (some carry a 5-Year or 1-Year warranty).

Visit <https://upliftdesk.com/warranty> for this particular product's warranty policy.

