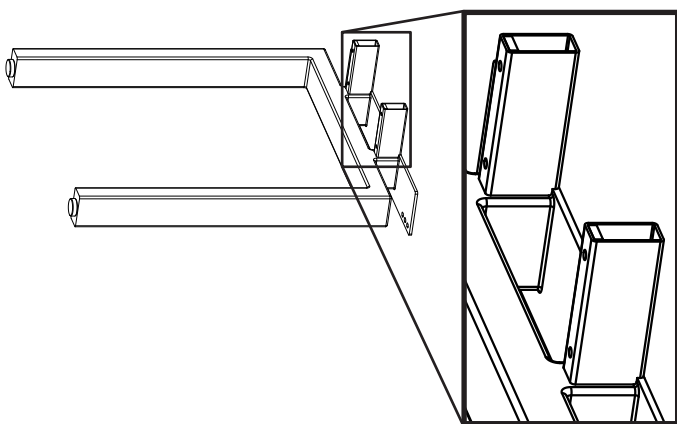


# ATTENTION

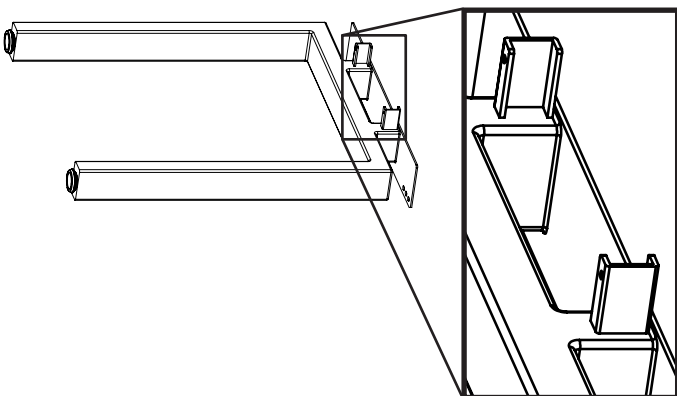
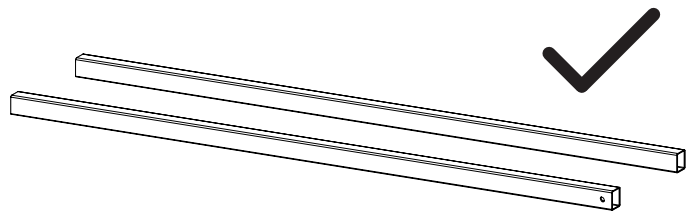
## IMPORTANT ADDENDUM FOR 48" Whiteboard Desktop & 4-Leg Side Table Frame

If you are assembling a 4-Leg Seated Height Side Table Frame (FRM401) with a 48" Whiteboard top, you will need to determine if you will use the Crossbar rails, per below.



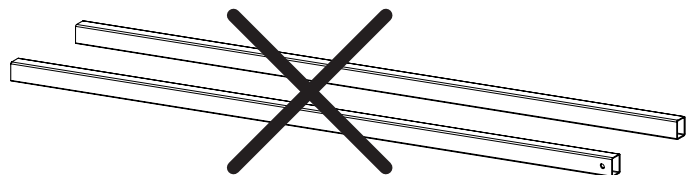
### Use the Crossbar rails

If your Leg assemblies look like this, you WILL use the included Crossbar rails, per the instructions.



### Do not use the Crossbar rails

If your Leg assemblies look like this, you WILL NOT use the included Crossbar rails.



UPLIFT DESK®



4973113153955 - INS-FRM401-TOP310  
Whiteboard Top Insert