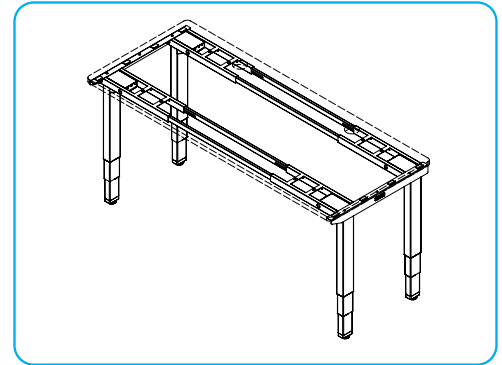
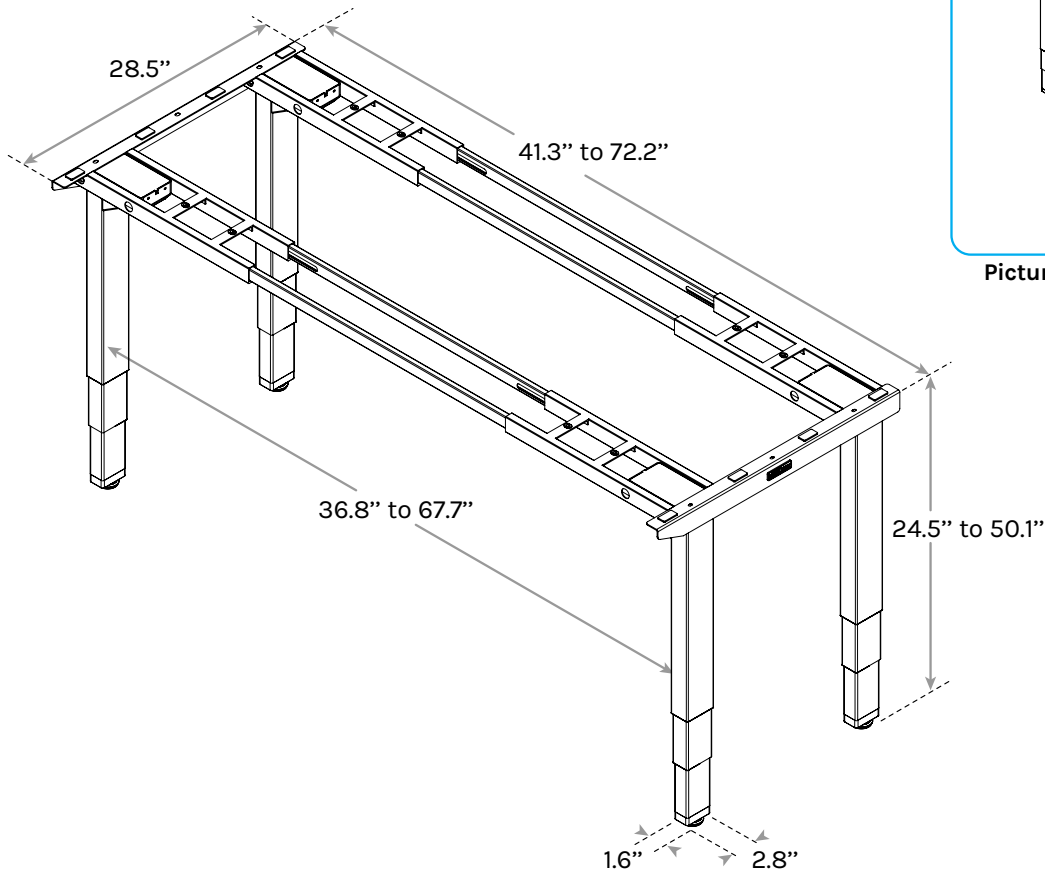


UPLIFT V2 4-Leg Standing Desk

SKU: FRMA-4

Specifications



Pictured: frame and desktop placement



Contract-grade Quality



7-year Warranty

Height Range	24.5"-50.1"
Travel Speed	1.57"/second
Noise Level	50 dB
Lifting Capacity	535 lbs
Current	5 amps max (during movement)
Voltage	Input: 100-120Vac (50/60Hz) Output: 24Vdc



Quad Motor Design



3-Stage Legs Are 33% Faster Than 2-Stage Legs



Superior Anti-Collision Sensitivity



Whisper-Quiet Adjustment



Stability Brace on Each Leg



Improved Stability with Precision Tolerance Legs



Available in 4 Color Options



Included Under-Desk Wire Management



For help with assembly, see our assembly video at upliftdesk.com/4leg-srd



Meets BIFMA X5.5-2014 Durability Standard

For technical questions and support call 800-349-3839, email info@upliftdesk.com, or visit our chat service at upliftdesk.com