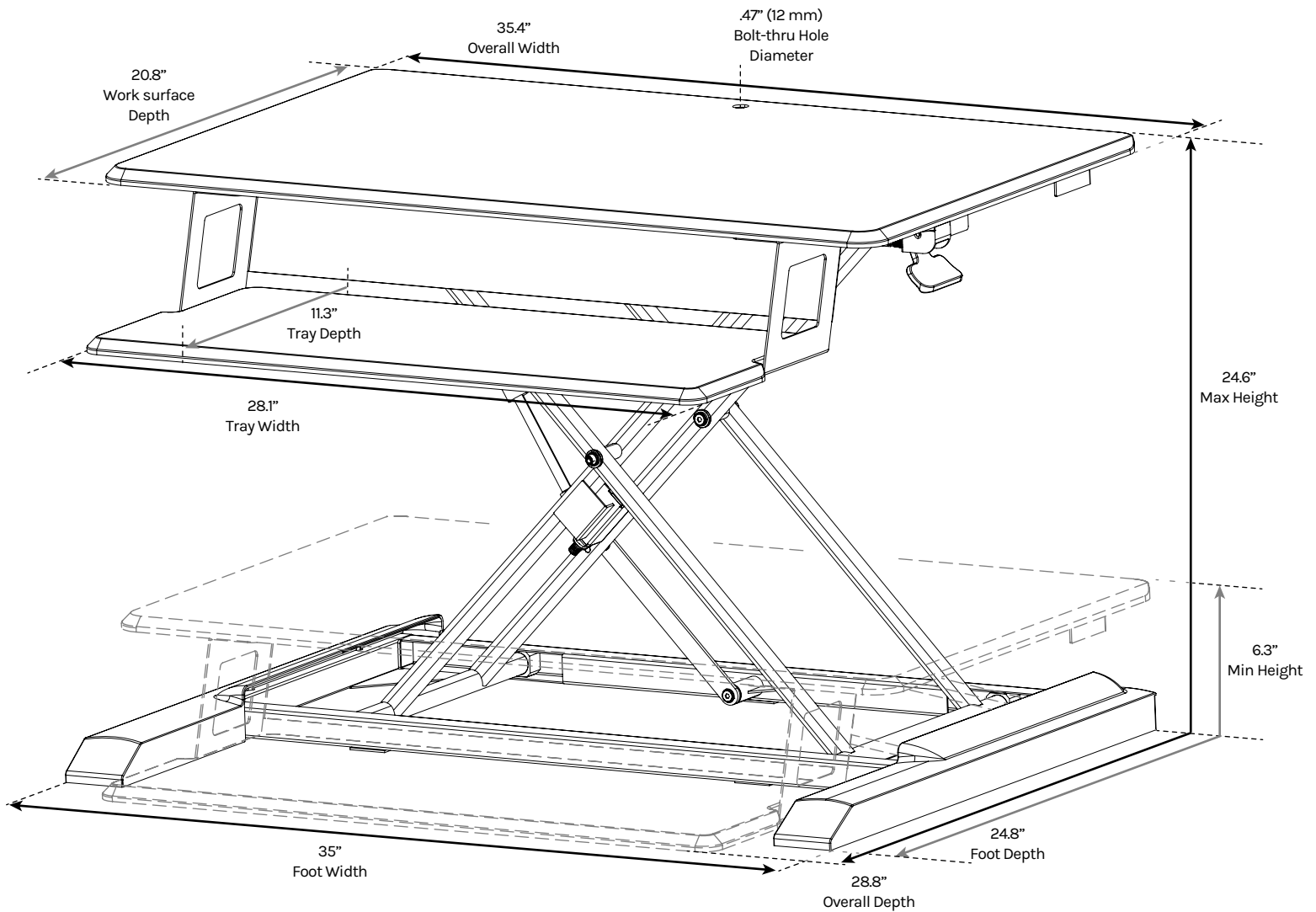


ATX Standing Desk Converter

SKU: UDA123

Specifications



Weight Capacity 33 lb (15 kg) upper work surface
6.6 lb (3 kg) keyboard tray

Unit Weight 41 lb 6 oz

Height Range 18.3"

Height Settings Unlimited, within Height Range

Assembly No assembly required

Lifting Source Gas spring lift w/ adjustable tension

Color Black, White

Warranty 15 year

BIFMA Meets BIFMA X5.5-2014
Durability Standard



For help with assembly, find our assembly instructions at <http://bit.ly/2IEHVUK>

For technical questions and support call 800-349-3839, email info@upliftdesk.com, or visit our chat service at upliftdesk.com