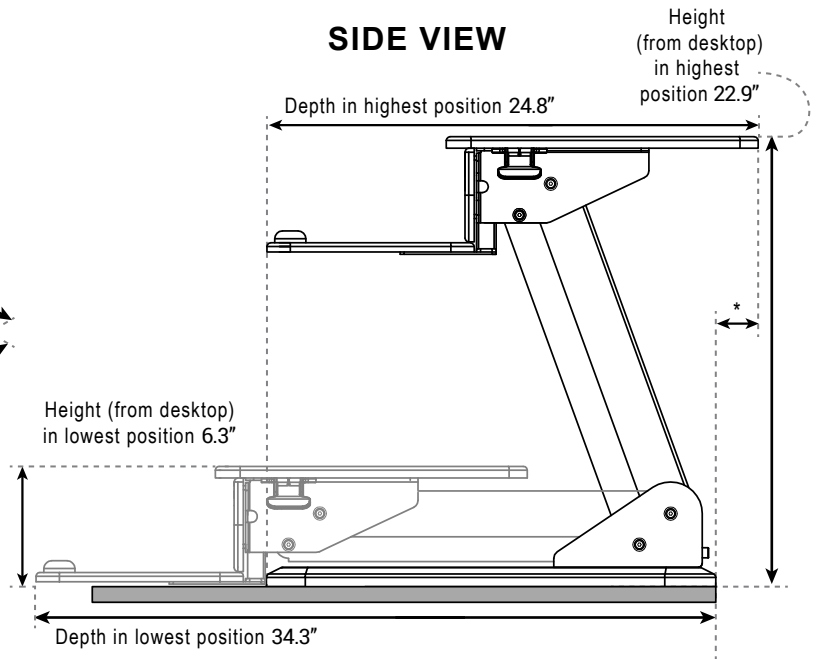
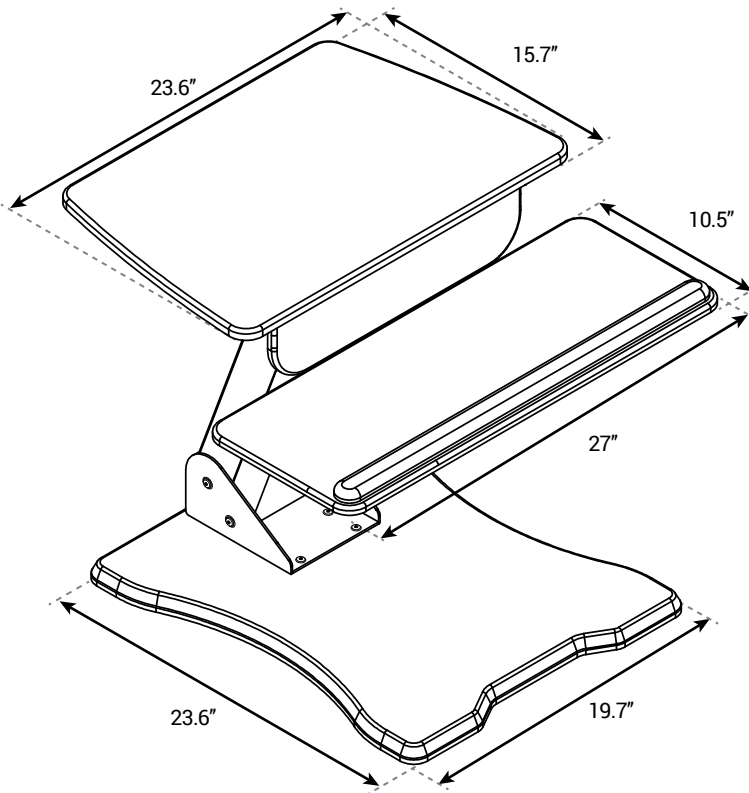
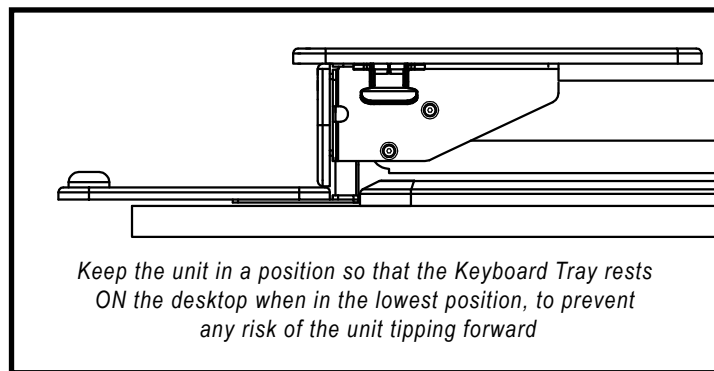


STANDING DESK CONVERTER-RISER UPLIFT DESK®

UDA100-riser



*Note: Because the upper worksurface moves backwards as it rises, place the unit at least 2.5" from the wall.



CAPABILITIES

Height Range	16.7"
Adjustment Type	Pneumatic
Weight	55 lbs
Weight Capacity	28.6 lbs
Color	Black or White Finish
Warranty	2 years

FEATURES

- Pneumatic adjustment does not require an electric outlet
- Converts any surface into a height adjustable workstation
- Counterbalances to support the weight of your equipment
- Palm rest included