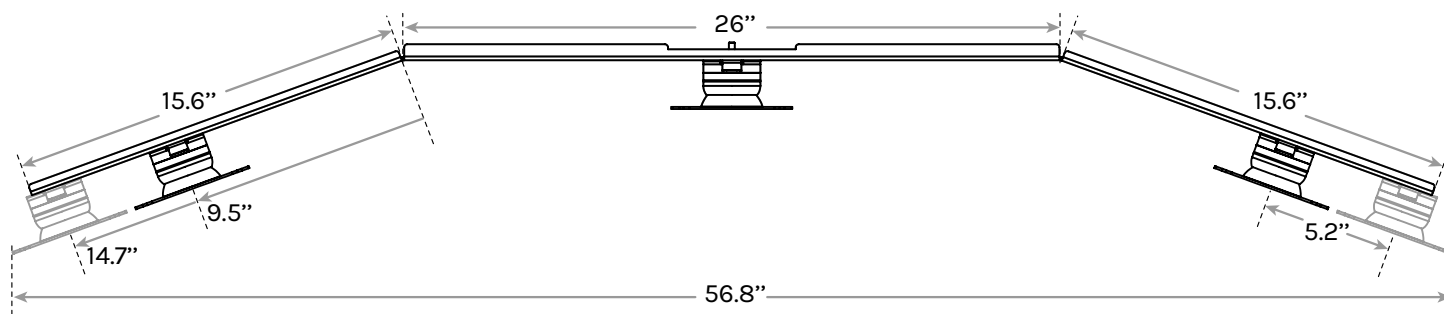


Triple Monitor Arm for E7 Converter

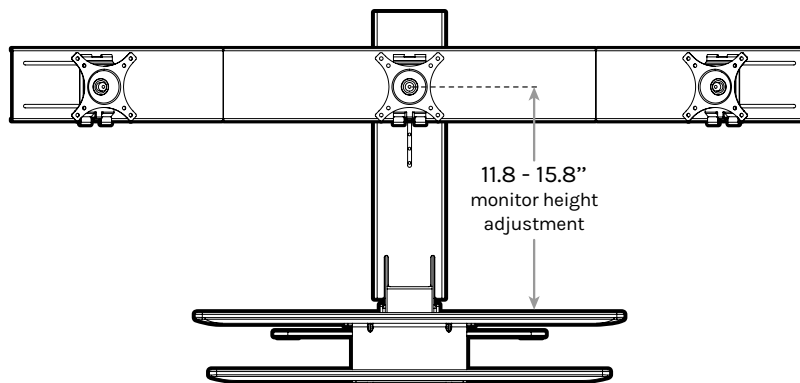
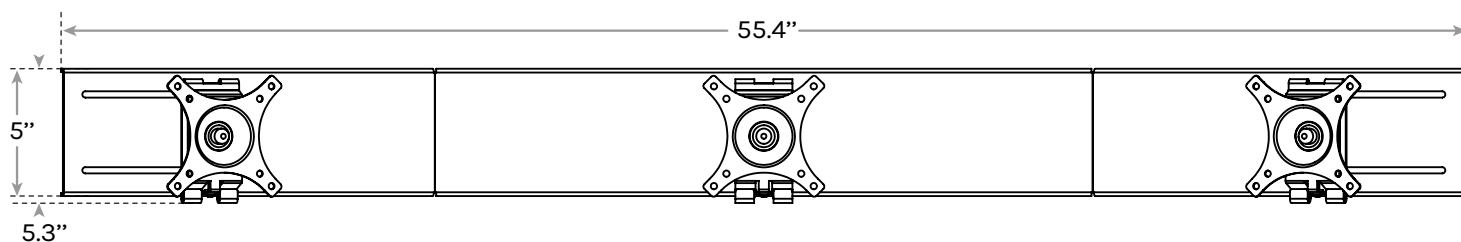
SKU: ACC116

Specifications

TOP VIEW



FRONT VIEW



**Contract-grade
Quality**



**5-year
Warranty**

Material Formed Steel

Colors Black, White

Max Monitor Size 28"

VESA Weight Capacity 17.6 lb



**Available in Two
Color Options**



**Triple Monitor
Holding Capabilities**



For help with assembly, find our assembly instructions at <http://bit.ly/2ZZ0Alj>

i For technical questions and support call **800-349-3839**, email info@upliftdesk.com, or visit our chat service at upliftdesk.com