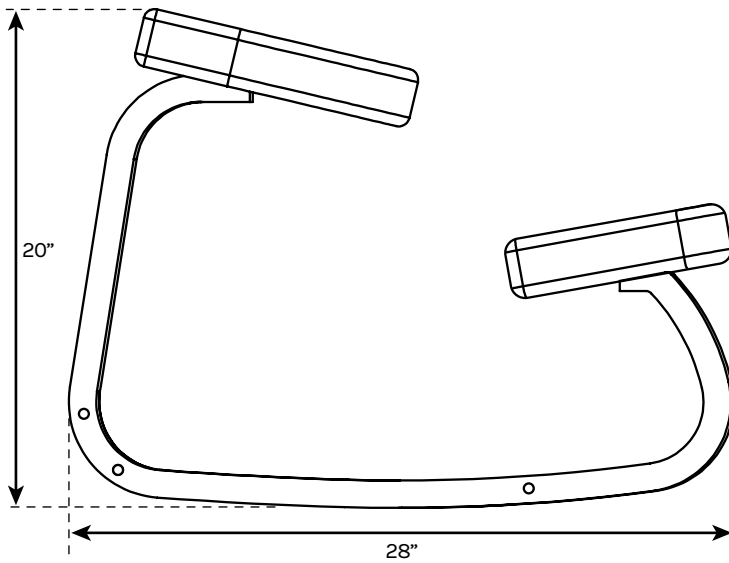


Ergonomic Kneeling Chair

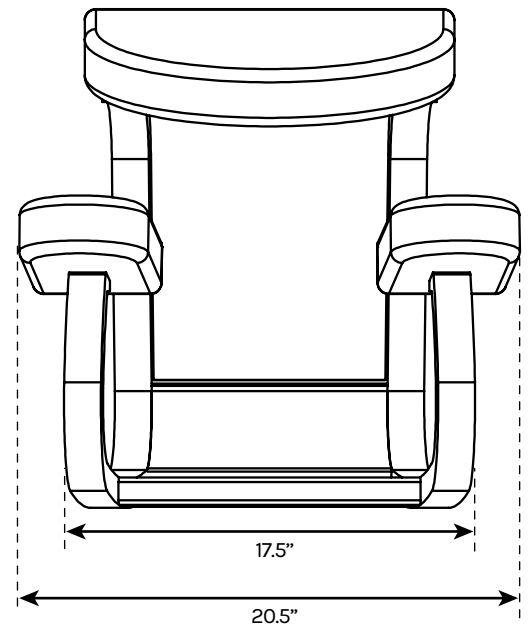
SKU: CHR463

Specifications

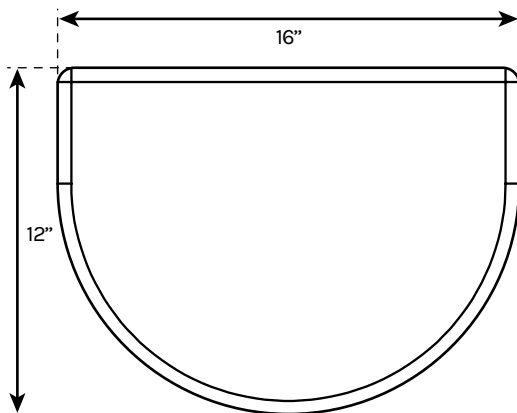
SIDE VIEW



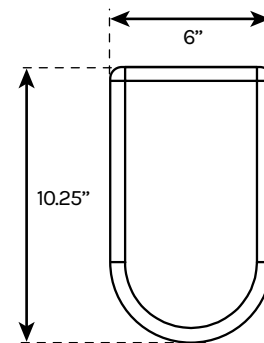
FRONT VIEW



SEAT CUSHION



KNEE CUSHION



Weight Capacity 200 lb (90.7 kg)

Fabric Colors Blue, Gray



For help with assembly, find our assembly instructions at <https://bit.ly/2N4WHpS>

i For technical questions and support call 800-349-3839, email info@upliftdesk.com, or visit our chat service at upliftdesk.com