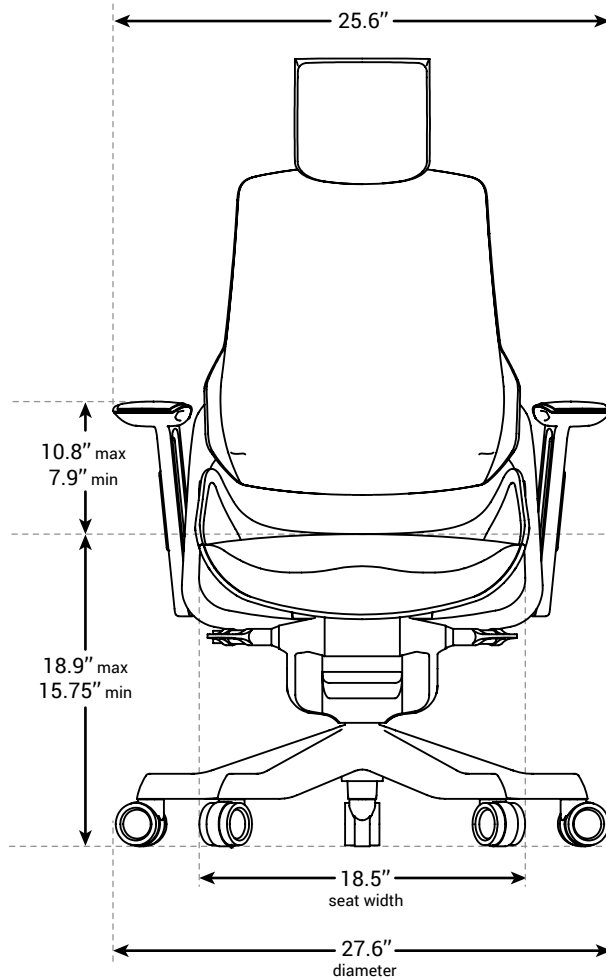
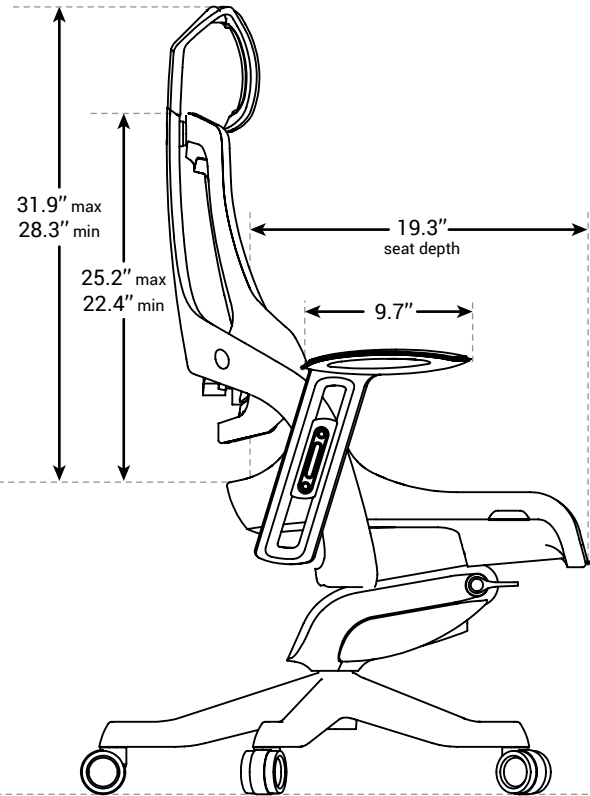


FRONT VIEW



SIDE VIEW



CAPABILITIES

- Weight Capacity**250 lbs.
- Color**Black, White
- Warranty**3 years

FEATURES

- Fabric seat delivers extra support, while the mesh back allows airflow for comfort
- Waterfall seat decreases pressure behind the legs, improving circulation
- Back angle adjustment with tension control allows you to recline and lock the chair back in 3 different positions, or leave the back unlocked for free movement