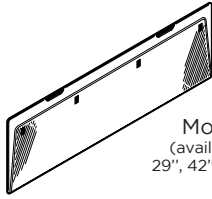
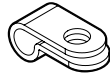


UPLIFT DESK® Modesty Panel with Wire Management WMK009

Package Contents:



Modesty Panel
(available in six widths:
29", 42", 48", 60", 72", 80")



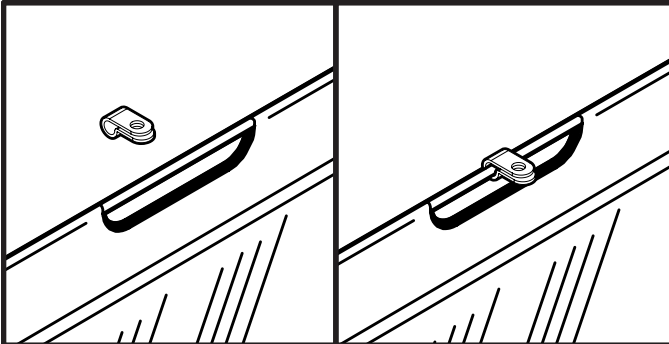
Mounting clips
(qty 2 or 3
depending on panel size)



1/2" Screws
(qty 2 or 3
depending on panel size)

Mounting to the back of your desk

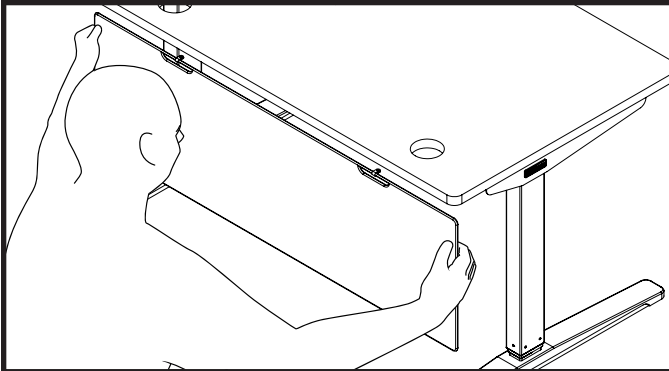
Our 42", 48", 60", 72" and 80" Modesty panels are designed to fit along the back edge of our standard desktop sizes.



Step 1

Place a Mounting clip near the middle of each exposed hanging bar on the Modesty Panel frame. Make sure the clips point inward (away from the back of the desktop), and the flat part is facing upwards and toward the underside of the desktop.

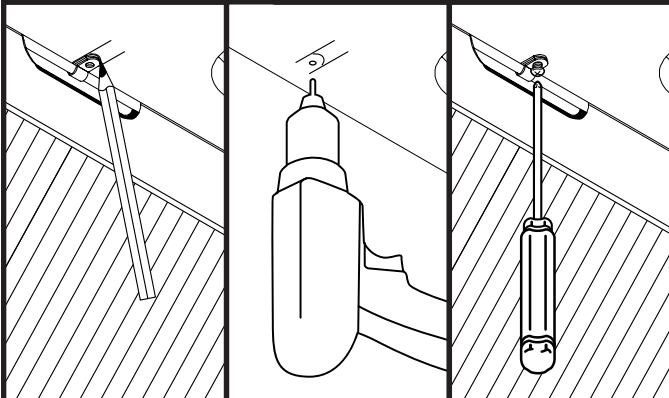
Be sure the mesh pouch is facing in toward the underside of your desk. Installing the Modesty Panel this way allows you to place your wires inside its mesh pouch and store them under your desk.



Step 2

The Mounting clips install to the underside of your desktop. Center the Modesty Panel on the back edge of the desktop, and place the Mounting clips so that they are about 1/2" inward from the back edge.*

***NOTE:** If you plan to attach accessories to the back of your desk, such as privacy panels, monitor arms or task lamps, you will need to move the Modesty Panel further inward from the back edge of the desktop to make room for the accessory mounting clamps.

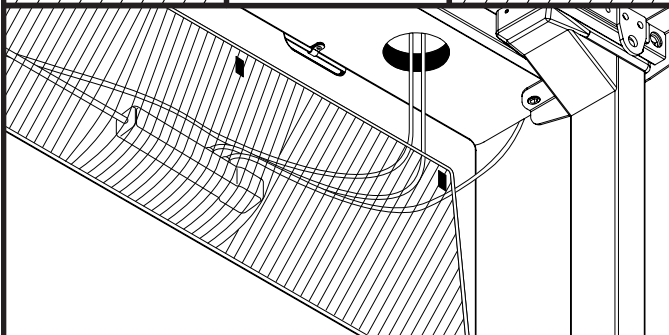


Step 3

Once you decide on your Modesty Panel's placement, mark the locations where you'll be attaching the mounting clips on the desktop with a pencil. Depending on the density your desktop, you may need to drill pilot holes.

Using a drill with a 1/8" drill bit, **drill pilot holes no deeper than 1/2"**. Using a Phillips head screwdriver and the 1/2" screws, attach the Modesty Panel to your desktop.

CAUTION: Do not overtighten, as this can strip the screws and/or the holes in your desktop.

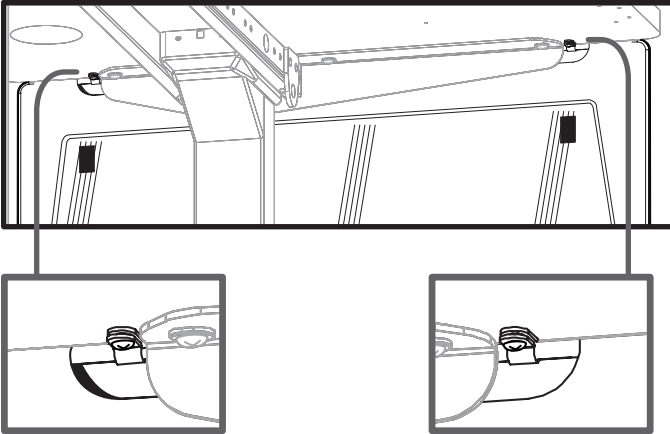


Step 4

After attached, unfasten the Modesty Panel's hook and loop tabs and route your cables through the inside of the mesh pocket. When all cables are in place, close up the pouch and fasten it with the hook and loop tabs.

CAUTION: Do not place anything heavier than cables and power strips inside the wire management pouch, as this could cause your Modesty Panel to come loose or pull the screws out of your desktop.

Mounting 29" Side Modesty panel to the side of your desk



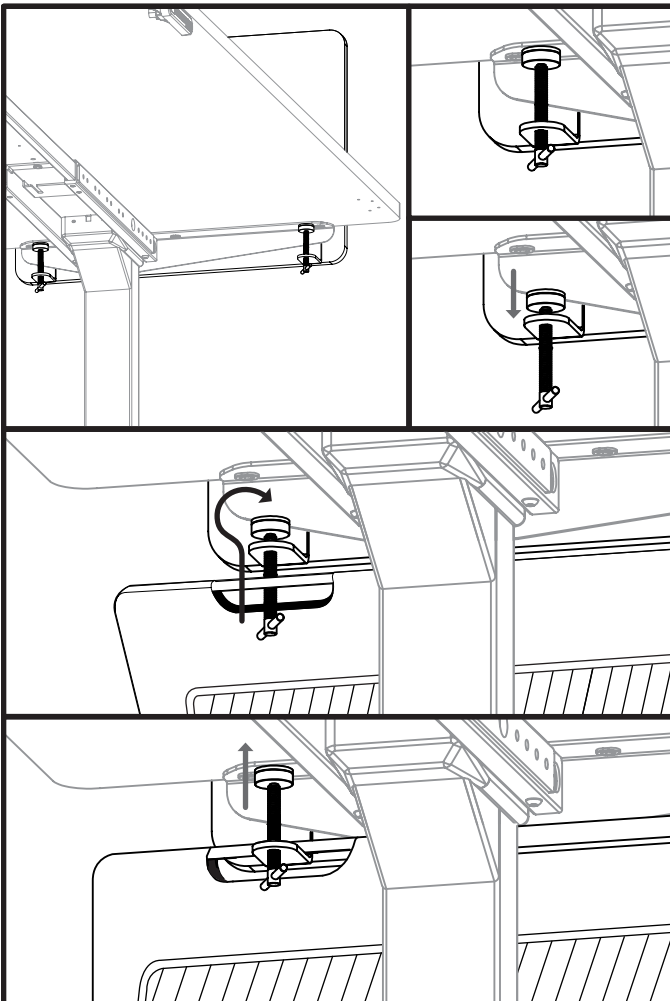
Step 1

Follow the previous instructions for the 29" long Modesty panel. The mounting clips will fit just outside the edges of the Desk's Side bracket, as shown.

NOTE: If you're also installing an Acoustic Privacy Panel to the side of your desk, you can hang the side Modesty panel from the Acoustic Privacy Panel's mounting hardware. Read the next section for more detailed instructions.

Mounting 29" Side Modesty panel with an Acoustic Privacy Panel

The Side Modesty Panels are designed to hang from the Acoustic Privacy Panel's mounting hardware



Step 1

First, follow the installation instructions provided with your Acoustic Privacy Panel.

Next, loosen the Acoustic Privacy Panel's clamps so there is a gap between the underside of the desktop and the clamp. This will allow you to slip the Modesty Panel over the clamps. The more you open the clamp, the easier the next step will be. If you're assembling by yourself, attach the Modesty Panel one side at a time. Otherwise, have a friend hold the Acoustic Privacy Panel in place while you complete Steps 1 through 3.

Step 2

With the Acoustic Privacy Panel's mounting clamps opened, tilt the Modesty Panel so that you can slip the bottom of the clamps through the openings at the top of the Modesty Panel, hooking the Modesty Panel's frame up and over the top of the clamps, as shown.

Step 3

Once the Modesty Panel's frame is in place and over the Acoustic Privacy Panel's clamps, tighten the clamps to secure both the Acoustic Privacy Panel and Modesty Panel to your desktop.

⚠ CAUTIONS & WARNINGS

⚠ CAUTION: Read all instructions before assembly. Failure to assemble or operate properly may result in damage or personal injury.

© Copyright Notice: These instructions are a component of the UPLIFT Modesty panel. These instructions are part of the scope of delivery, even if the item is resold. These instructions are also available on the UPLIFT Desk website: upliftdesk.com. Excerpts or copies may not be forwarded to third parties or used in any other published form without the prior written consent of UPLIFT Desk. These instructions are subject to United States copyright law.