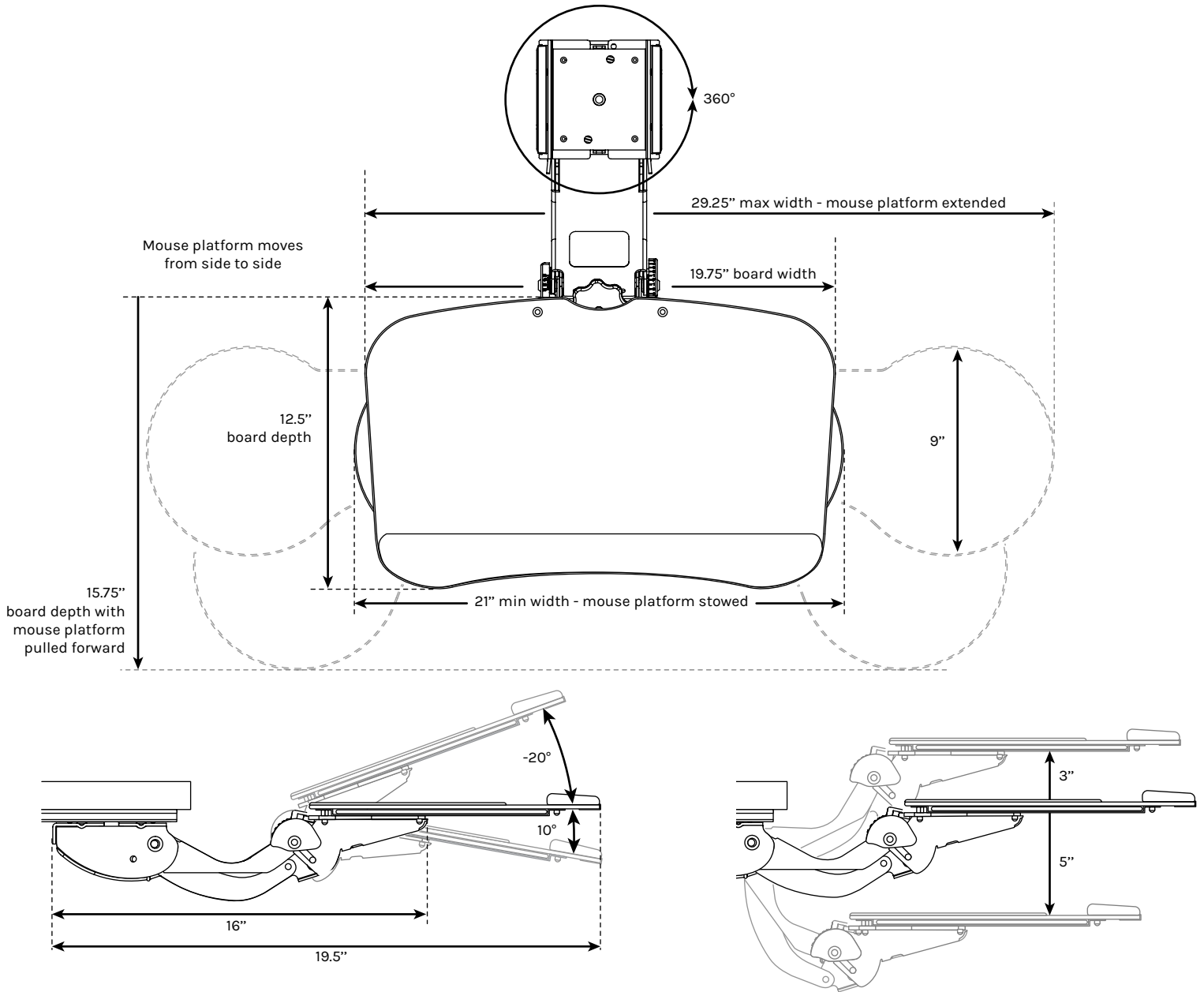


# Keyboard Tray System: Quick Adjust Mech w/ Switch Tray

## Specifications

SKU: KBT009, KBT008



- Meets ANSI/BIFMA X5.5-2014 Standards -

<b>Track Lengths</b>	21" (standard) 11" (for limited space)
<b>Swivel at Mechanism</b>	360°
<b>Mechanism Color</b>	Black
<b>Tray Color</b>	Black, White
<b>Tray Material</b>	Phenolic Resin
<b>Warranty</b>	15 year



For help with assembly, find our assembly instructions at <http://bit.ly/30XIHG9>



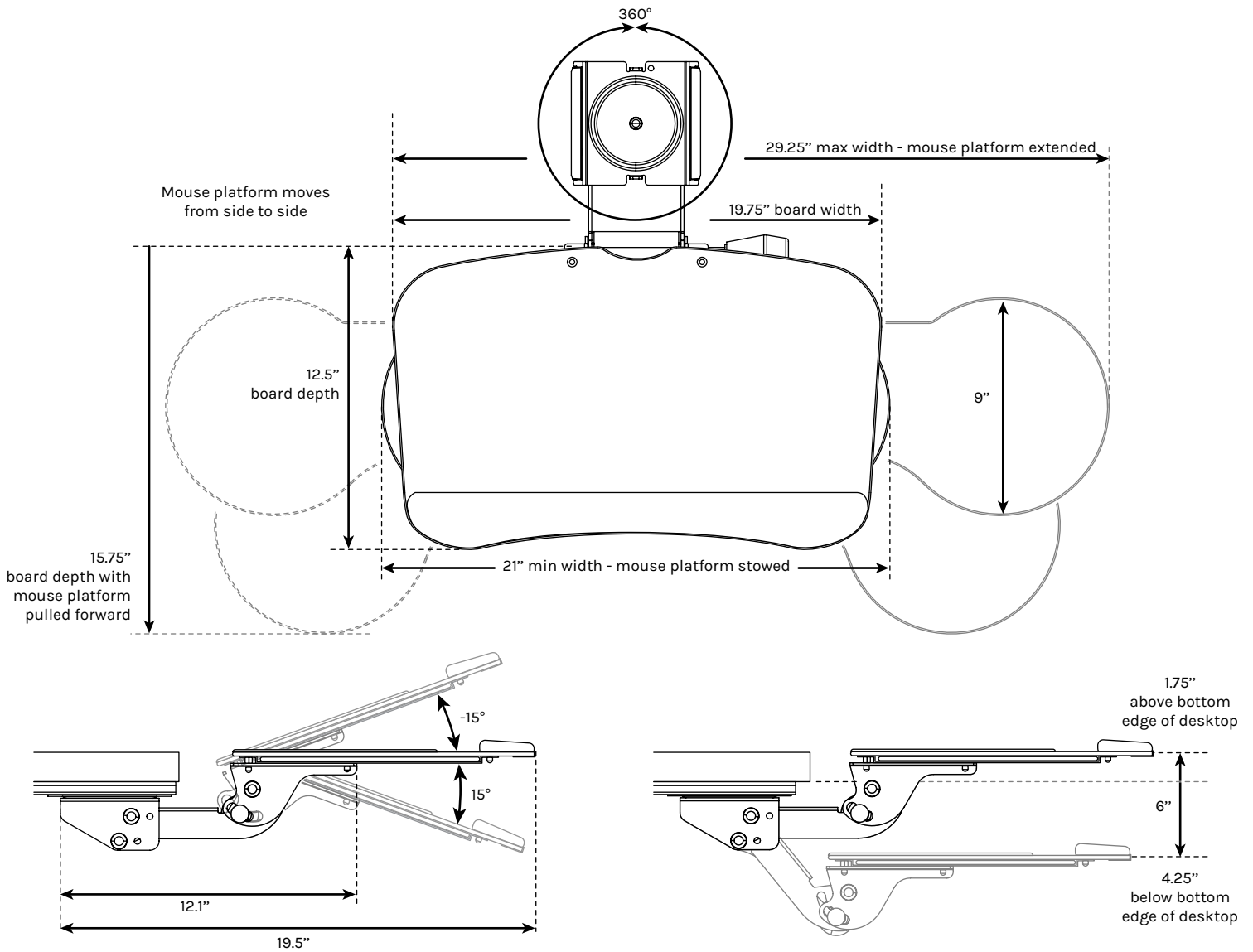
For a more in-depth look at this product, see our product video at [https://youtu.be/vXd\\_dEiHyTU](https://youtu.be/vXd_dEiHyTU)

**i** For technical questions and support call 800-349-3839, email [info@upliftdesk.com](mailto:info@upliftdesk.com), or visit our chat service at [upliftdesk.com](https://upliftdesk.com)

# Keyboard Tray System: Economy Mech w/ Switch Tray

## Specifications

SKU: KBT010, KBT008



- Meets ANSI/BIFMA X5.5-2014 Standards -

<b>Track Lengths</b>	21" (standard) 11" (for limited space)
<b>Swivel at Mechanism</b>	360°
<b>Mechanism Color</b>	Black
<b>Tray Color</b>	Black
<b>Tray Material</b>	Phenolic Resin
<b>Warranty</b>	15 year



For help with assembly, find our assembly instructions at <http://bit.ly/3aMdmto>

For technical questions and support call 800-349-3839, email [info@upliftdesk.com](mailto:info@upliftdesk.com), or visit our chat service at [upliftdesk.com](http://upliftdesk.com)