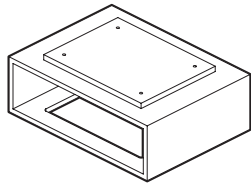


Bamboo Desk Drawer

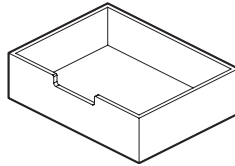
SKU: STR018

UPLIFT DESK®

Package Contents



Housing



Drawer



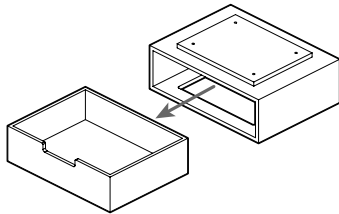
Stop bar



Long wood screw
(qty 4)

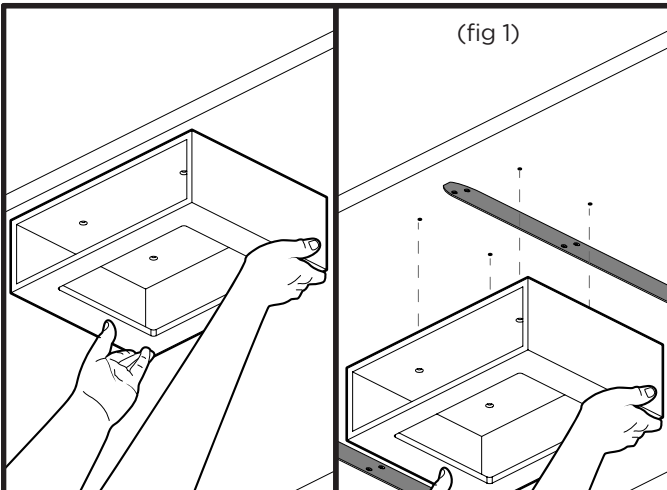


Short wood screw
(qty 3)



Step 1

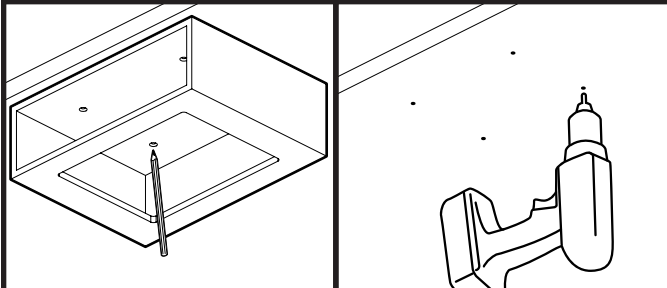
Slide the Drawer out from its Housing.



Step 2

Determine the placement of the drawer before mounting it by holding the Housing under your desk, just about flush with the front edge of the desktop.

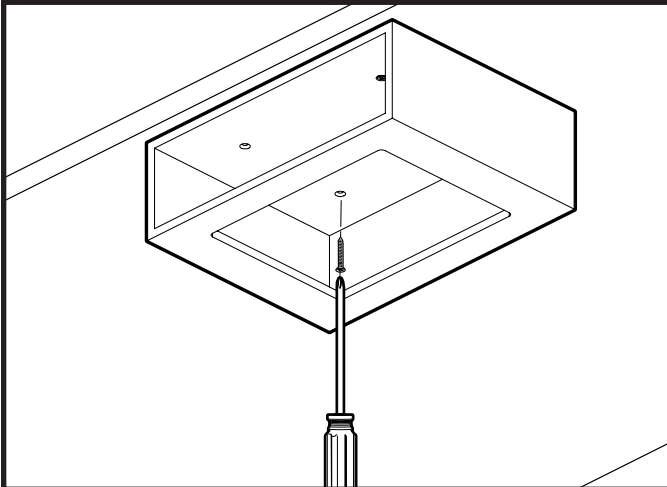
Note: Some thicker UPLIFT desktops are built with metal support bars embedded in the bottom side for support. They are clearly visible when looking under the desk. Be mindful of where your drawer will be going. When choosing its placement, do not place the holes directly over the support bars. If you must place it near a support bar, straddle the holes on the Housing on either side of the support bar. (see fig 1)



Step 3

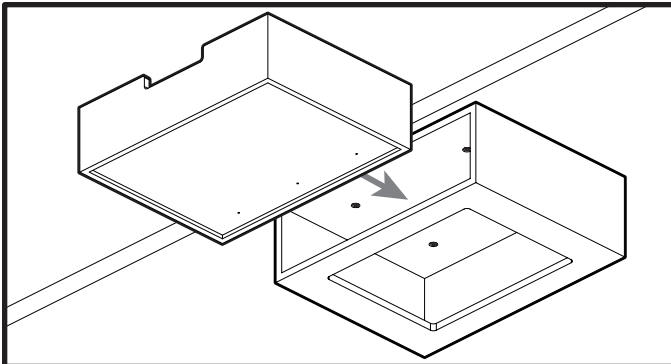
Mark the center of each hole with a pencil, and place the Housing to the side.

If you own a drill, you can make pilot holes to make installation easier. Use it with a 1/8" diameter drill bit and, ensuring that you DRILL NO DEEPER THAN 1/2", drill pilot holes where you've made your pencil marks.



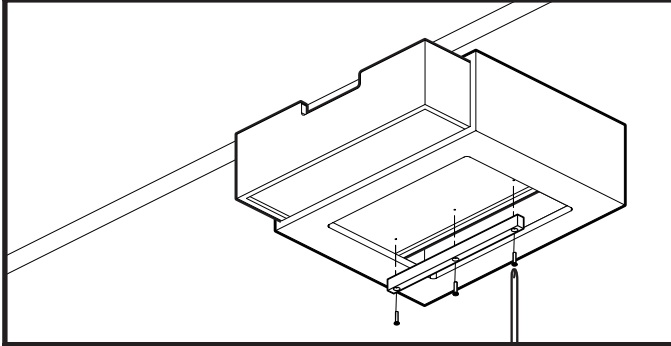
Step 4

Install the Housing to your desk using the four Long wood screws.



Step 5

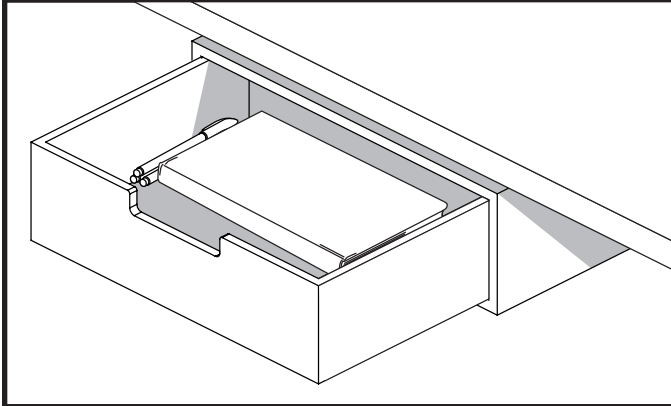
Slide the Drawer back into its Housing.



Step 6

To prevent the drawer from being removed completely, screw the Stop bar onto the bottom of the Drawer using the three Short wood screws installed into the predrilled holes.

If you want to be able to pull the drawer out all the way, you can skip this step.



Step 7

You're all set up for easy-to-reach storage at your desk. Now you can store items inside, including laptops up to 11.6" x 7.9".

⚠ CAUTIONS & WARNINGS

- ⚠ **CAUTION:** Read all instructions before assembly. Failure to assemble or operate properly may result in damage or personal injury.
- ⚠ **CAUTION:** Maximum weight capacity is 17 lbs (7.7 kg), do not overload.

© **Copyright Notice:** These instructions are a component of this accessory. These instructions are part of the scope of delivery, even if the item is resold. These instructions are also available on the UPLIFT Desk website: uplift-desk.com. Excerpts or copies may not be forwarded to third parties or used in any other published form without the prior written consent of UPLIFT Desk. These instructions are subject to United States copyright law.