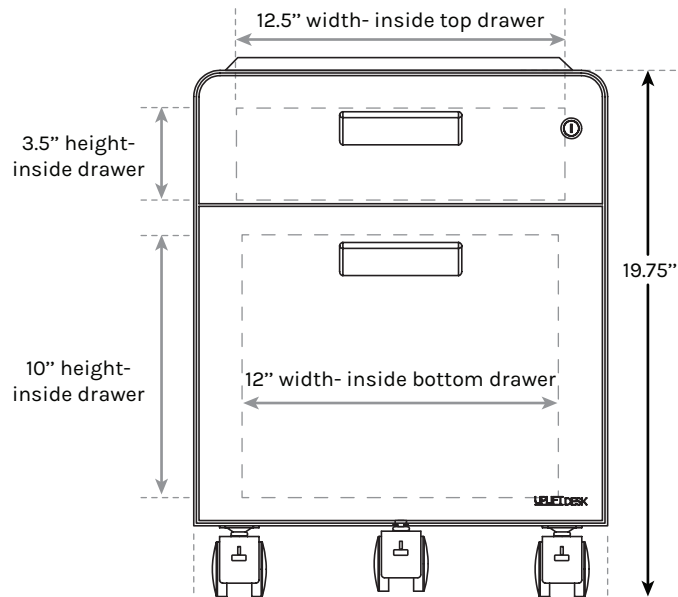


# 2-Drawer File Cabinet with Seat

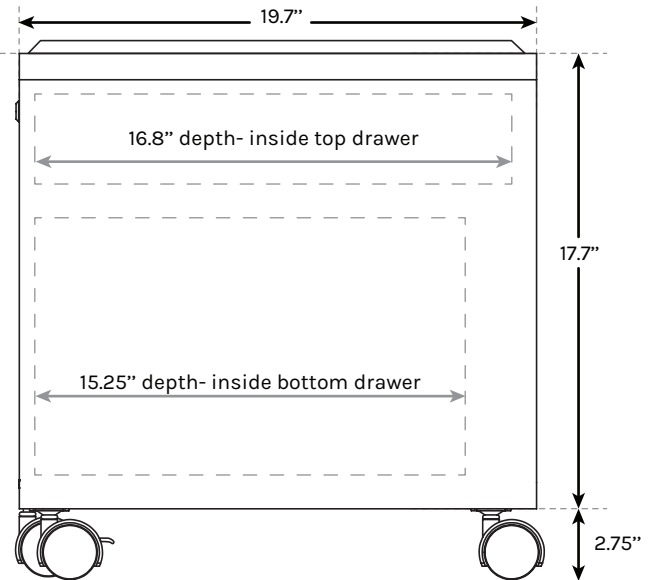
Specifications

SKU: STR002

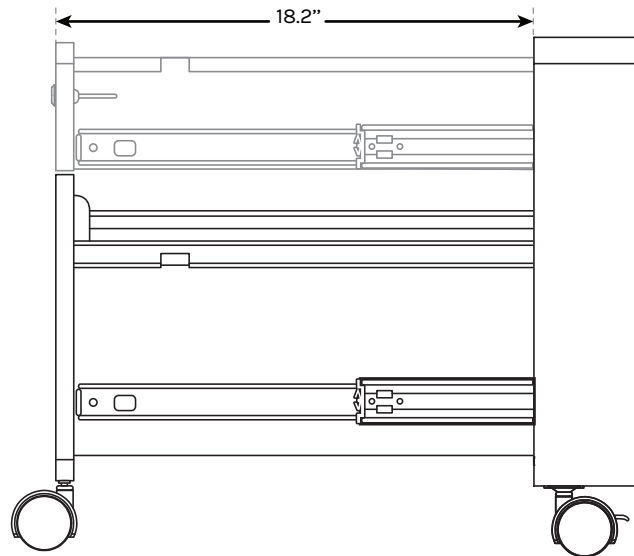
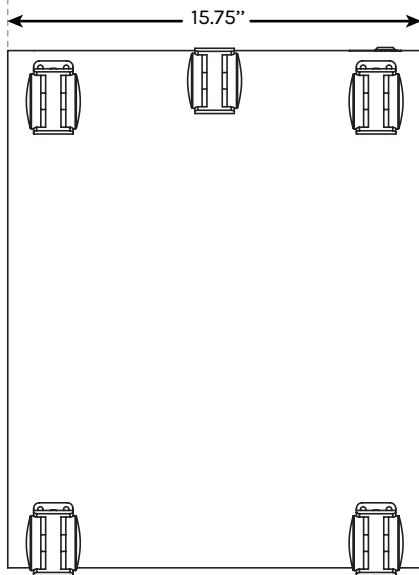
FRONT VIEW



SIDE VIEW




BOTTOM VIEW



<b>Color</b>	Black, Gray, White, Industrial Style
<b>Finish</b>	Powder-coat paint
<b>Weight Capacity</b>	225 lb
<b>Constructions</b>	Steel
<b>Warranty</b>	15 year



For help with assembly, find our assembly instructions at <https://bit.ly/2xQjm5I>

 For technical questions and support call 800-349-3839, email [info@upliftdesk.com](mailto:info@upliftdesk.com), or visit our chat service at [upliftdesk.com](https://upliftdesk.com)