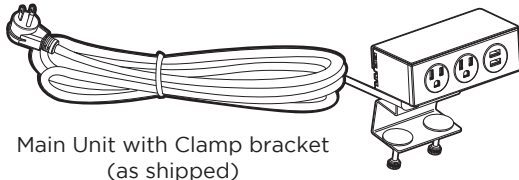


Clamp-on or Under-Mount Power with USB

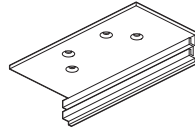
UPLIFT DESK

SKU: PDC003

Package Contents



Main Unit with Clamp bracket
(as shipped)



Desktop bracket

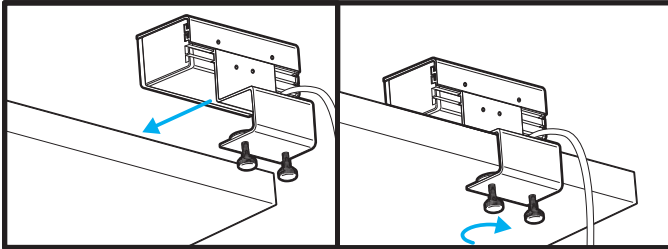


Wood screw
(qty 4)



2.5 mm Allen wrench

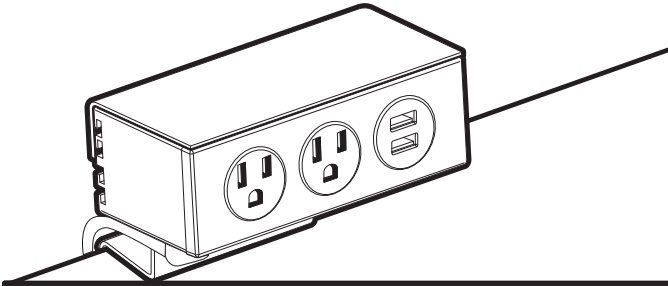
Clamp Assembly



Step 1

Loosen the thumbscrews and slide the unit onto your desktop. It will fit on desks up to 1.75" thick.

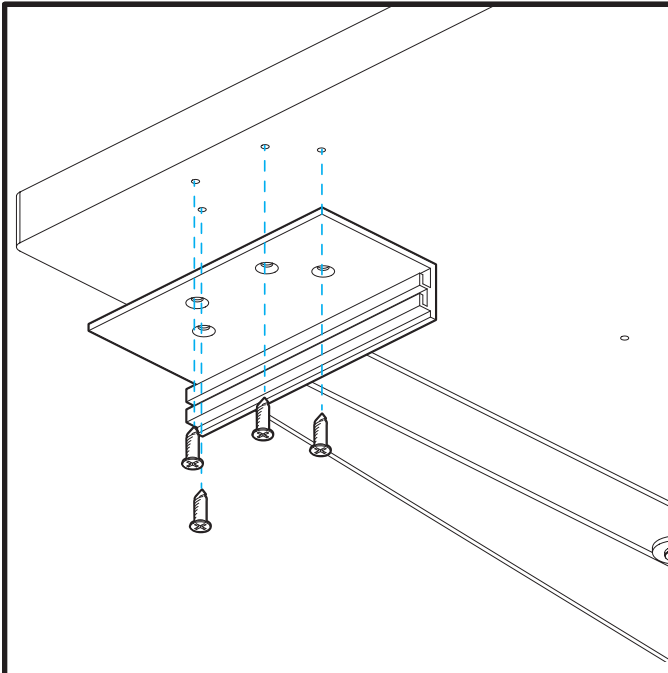
After ensuring the Clamp bracket is flush against the desk, tighten the thumbscrews to secure it in place.



Step 2

Plug the unit into a nearby 120V wall outlet. The power cord is 10' long; if installing on a height adjustable desk, make sure it has enough slack to raise and lower your desk safely and completely without straining the cord.

Under Desk Assembly



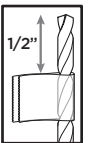
Step 1

UPLIFT Desks have pre-drilled holes on the left and right side for attaching a keypad. You can use one of these sets of holes to attach the Desktop bracket.

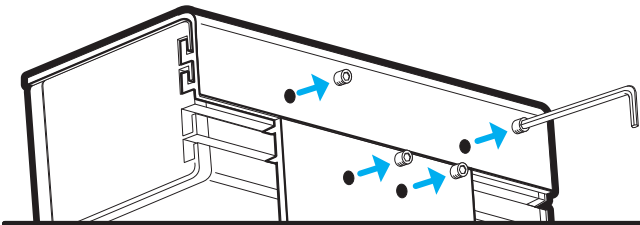
If you don't have an UPLIFT Desk or if you want to mount the unit in a location other than one of the keypad mounting locations, place the bracket where you want it and make a pencil mark at each hole location. Make sure the Desktop bracket is aligned as shown and flush with the front edge of the desktop.

If you own a drill, you can make this a little easier by drilling pilot holes where you've made your pencil marks using a 1/8" diameter bit.

Note: DRILL NO DEEPER THAN 1/2". To ensure this, we recommend wrapping a piece of tape around your drill bit 1/2" from the tip. Stop drilling just before the tape touches the desktop.



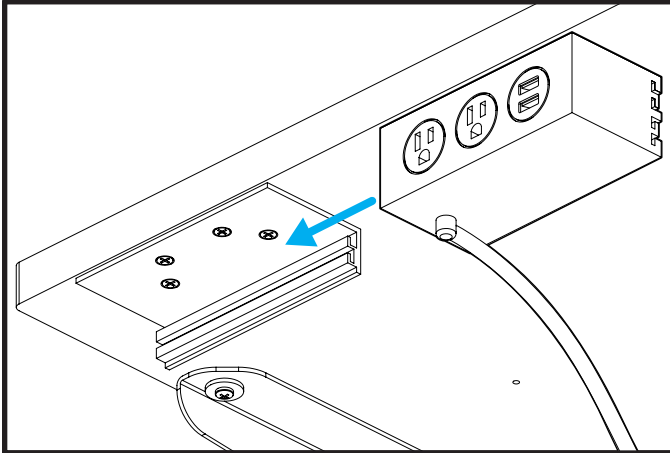
Install the four Woodscrews as shown to attach the Desktop bracket to the desktop. Make sure the screws are fully installed and flush with the bracket, but be careful to not over-tighten them to avoid stripping.



Step 2

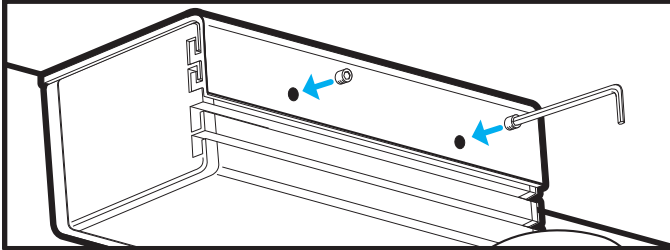
Use the 2.5mm Allen wrench to remove all four Set screws from the two brackets that shipped installed on the Main unit. Then slide the two brackets off of either side of the unit. Keep two of the Set screws for use in the next step.

Note: these brackets may be tight but they will come off.



Step 3

After removing the two brackets that shipped installed to the Main unit, slide the Main unit onto the installed Desktop bracket as shown.



Once the Main unit is aligned underneath the Desktop bracket, reinstall two of the Set screws removed in the previous step to lock the unit in place and keep it from sliding off the Desktop bracket.

⚠ CAUTIONS & WARNINGS

- ⚠ **CAUTION:** Read all instructions before assembly. Failure to assemble properly may result in damage or personal injury.
- ⚠ **CAUTION:** To avoid overheating and possible damage to this product and other equipment, do not use to power a device which exceeds the designed ratings.
- ⚠ **CAUTION:** This product must be installed and/or used in accordance with the appropriate electrical codes and regulations. Plug into 120V grounded outlet only.
- ⚠ **WARNING:** Avoid getting any liquid on the unit, as it can cause shock & fire. If unit gets wet, disconnect the power at the circuit breaker, fuse or outlet. Ensure the unit is completely dry before connecting this product to a power source.
- ⚠ **WARNING:** If unit fails to operate, it should be discarded. Do not open the unit or try to service it.
- ⚠ **CAUTION:** The UPLIFT Clamp-on Power with USB needs a path to ground to work properly, and should only be plugged directly into a grounded outlet. Using any extension cord in conjunction with an UPLIFT Clamp-on Power with USB will void all UPLIFT warranties. All connected equipment should be plugged directly into your UPLIFT Clamp-on Power with USB.

© Copyright Notice: This guide is a component of the Clamp-on Power with USB. This guide is a part of the scope of delivery, even if the item is resold. This guide is also available on the UPLIFT Desk website: upliftdesk.com. Excerpts or copies may not be forwarded to third parties or used in any other published form without the prior written consent of UPLIFT Desk. These instructions are subject to United States copyright law.