

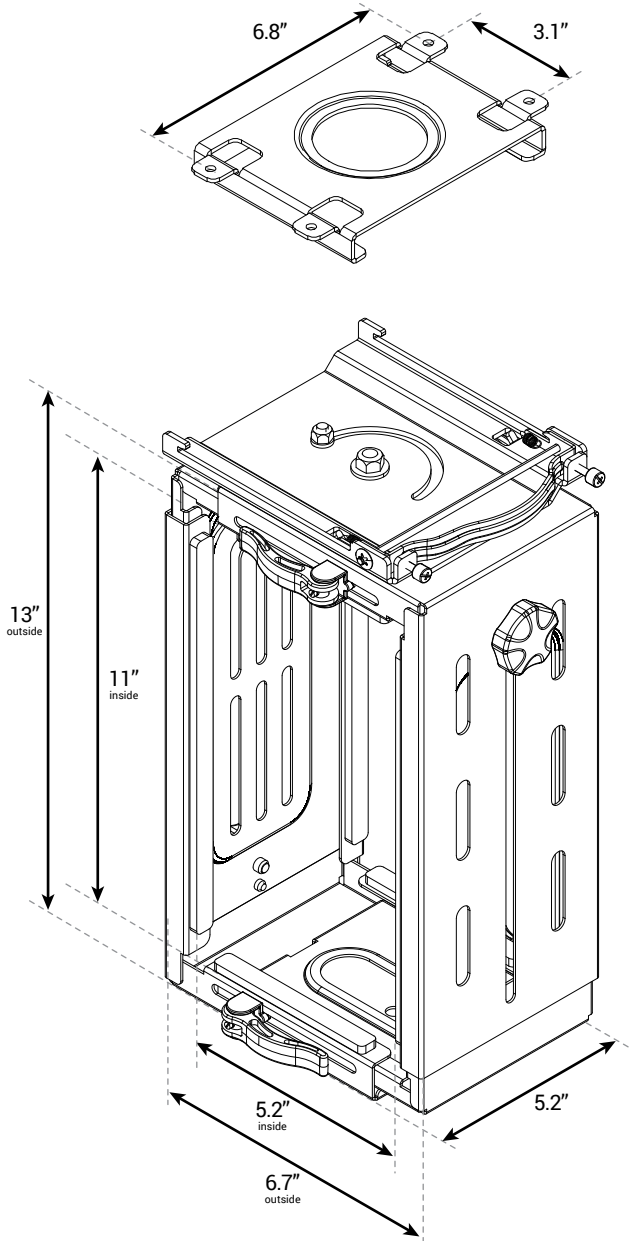
# E3 CPU HOLDER

UPLIFT DESK®

CPU001

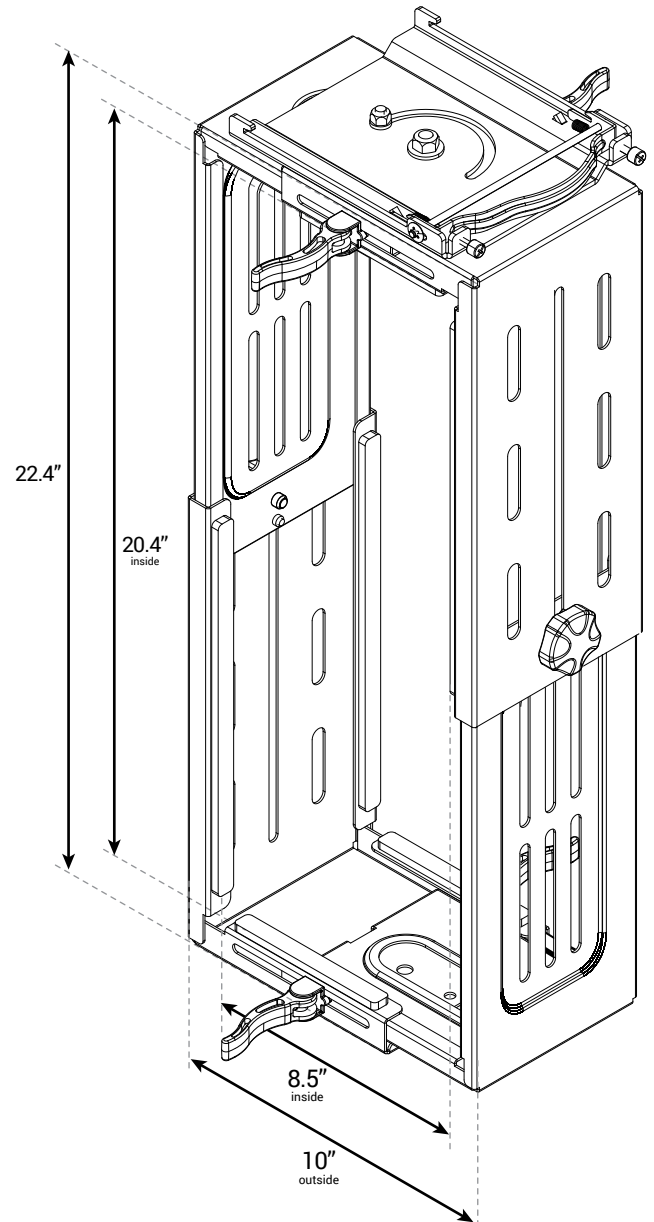
## SMALLEST

with shortest height & narrowest width



## LARGEST

with tallest height & widest width



## CAPABILITIES

**Weight Capacity** ..... 33 lbs.  
**Colors** ..... Black, Gray, White  
**Rotation** ..... 90° right, 90° left  
(180° total)  
**Warranty** ..... 2 years

## FEATURES

- Clears up desk space and keeps computer towers safe from accidents
- Mounting bracket requires no track spacer when installing
- Unit adjusts without tools and expands to hold most CPUs