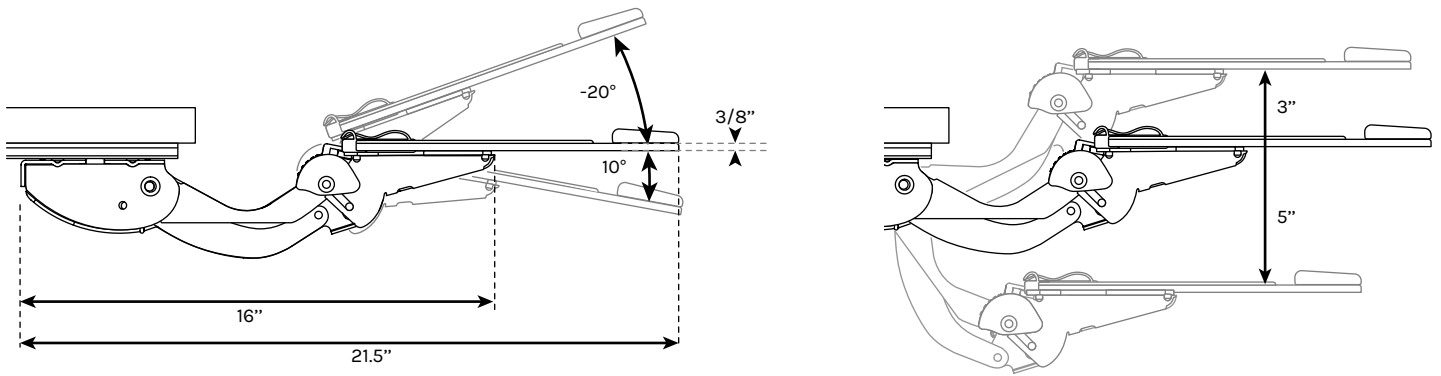
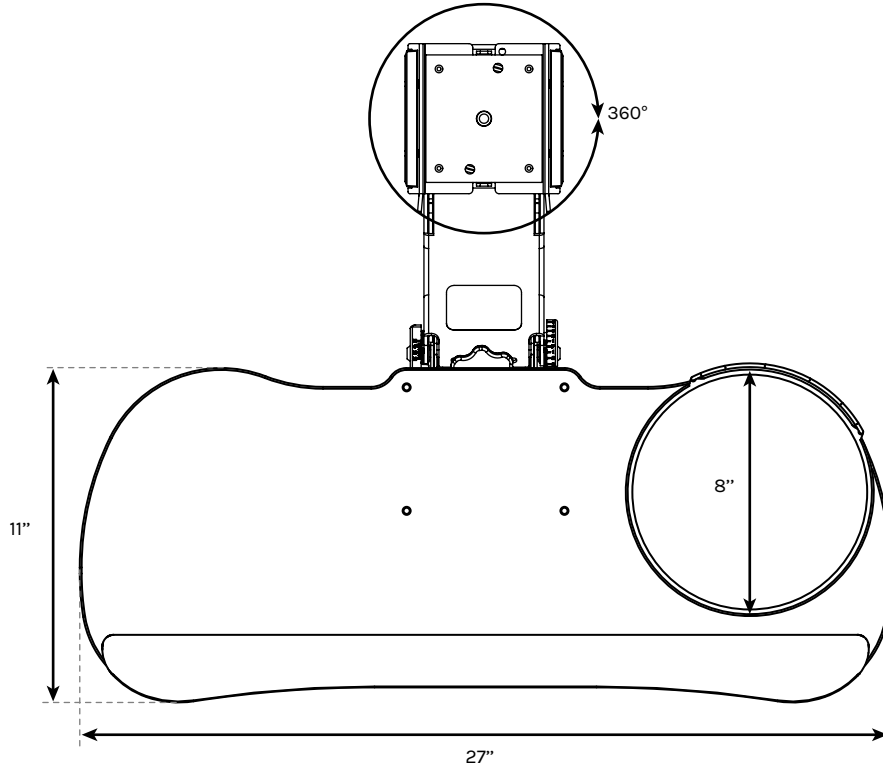


Keyboard Tray System: Quick Adjust Mech w/ Big Standard Tray **Specifications**

SKU: KBT009, KBT007



- Meets ANSI/BIFMA X5.5-2014 Standards -

Track Lengths	21" (standard) 11" (for limited space)
Swivel at Mechanism	360°
Mechanism Color	Black
Tray Color	Black, White, Bamboo
Tray Material	MDF (Black, White) Bamboo (Bamboo)
Warranty	15 year



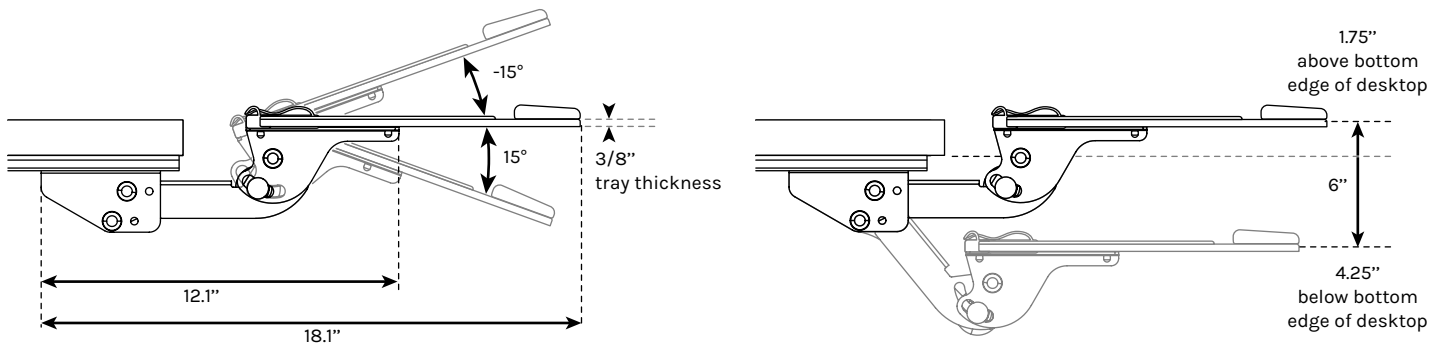
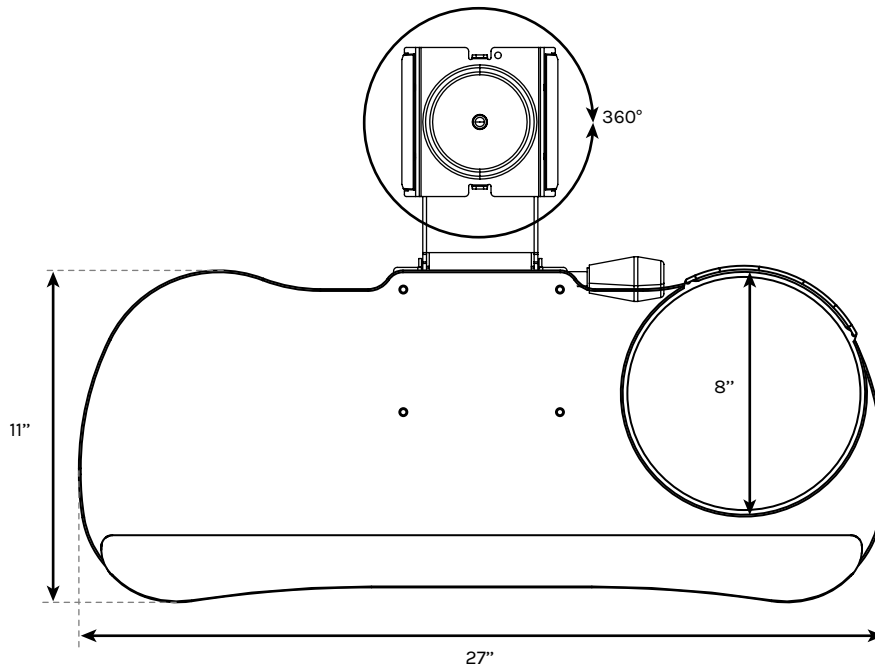
For help with assembly, find our assembly instructions at <http://bit.ly/30XIHG9>

i For technical questions and support call 800-349-3839, email info@upliftdesk.com, or visit our chat service at upliftdesk.com

Keyboard Tray System: Economy Mech w/ Big Standard Tray

Specifications

SKU: KBT010, KBT007



- Meets ANSI/BIFMA X5.5-2014 Standards -

Track Lengths	21" (standard) 11" (for limited space)
Swivel at Mechanism	360°
Mechanism Color	Black
Tray Color	Black, White, Bamboo
Tray Material	MDF (Black, White) Bamboo (Bamboo)
Warranty	15 year



For help with assembly, find our assembly instructions at <http://bit.ly/3aMdmto>

For technical questions and support call 800-349-3839, email info@upliftdesk.com, or visit our chat service at upliftdesk.com