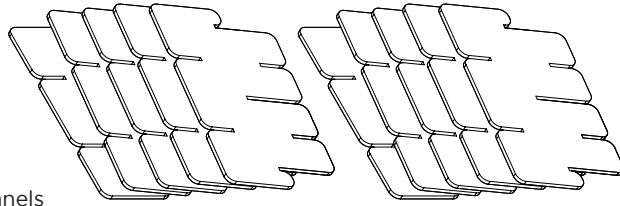


Bonnell Acoustic Puzzle Wall

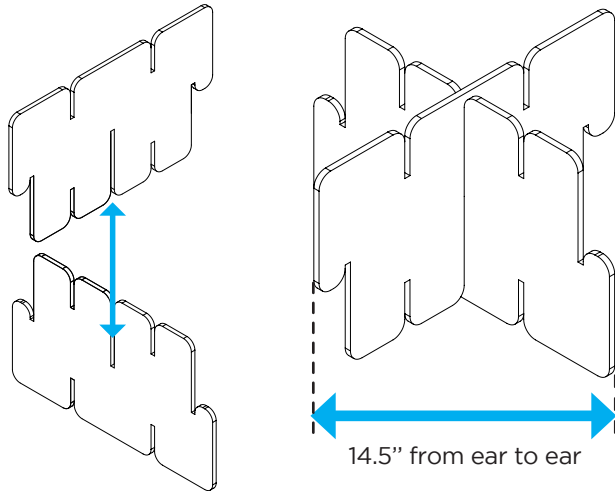
ACU064

UPLIFT ACOUSTICS®

Package Contents



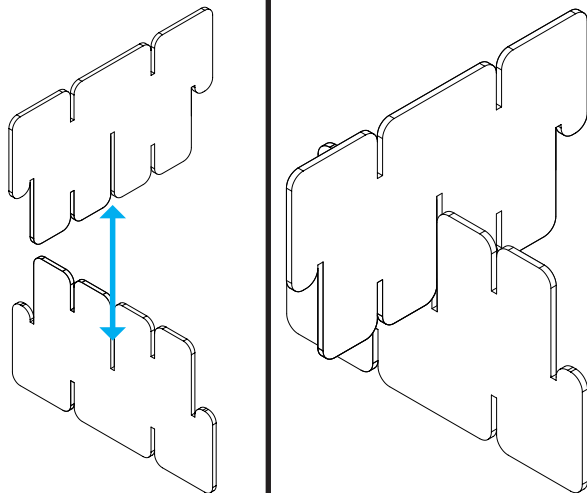
Acoustic Puzzle panels
(panels ship in packs of 10)



Step 1

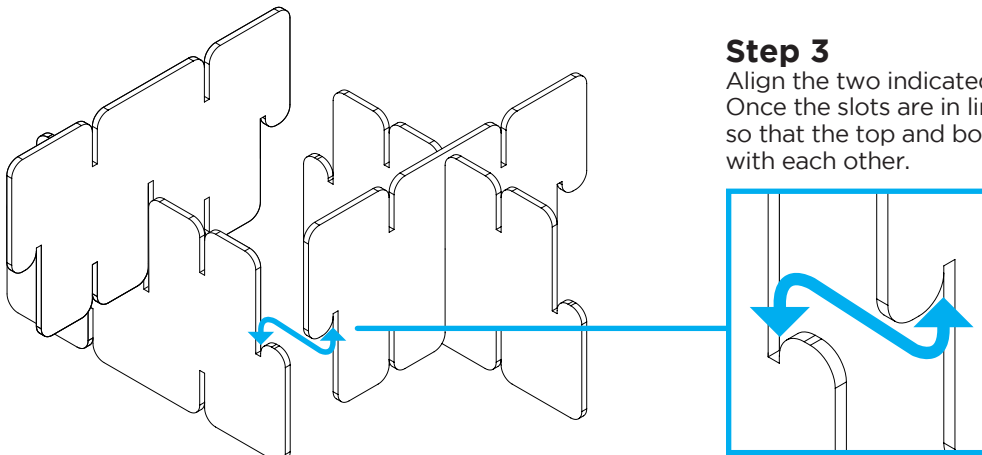
Align two panels as shown, with the long slots in the center of the panels facing each other. Slide the long slots together as far as possible so that the top and bottom edges of both panels are flush with each other.

This will form the first “X-shape” of your acoustic puzzle wall.



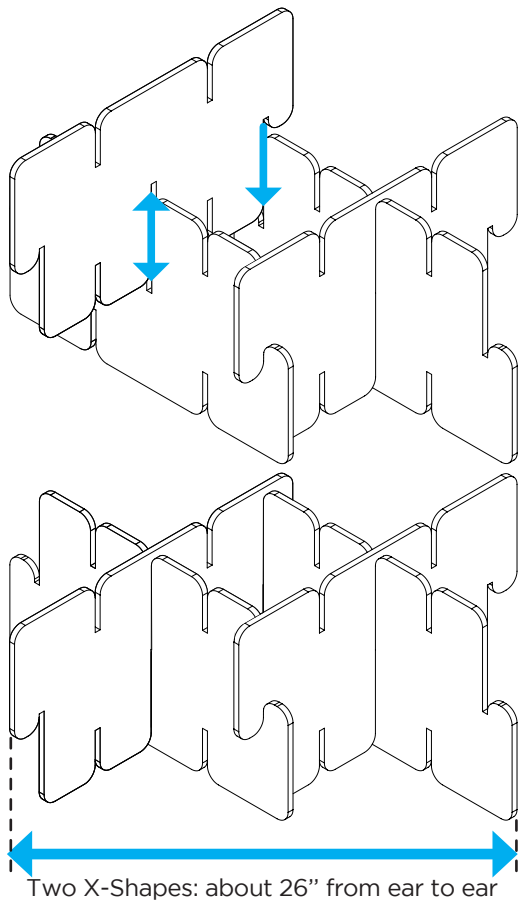
Step 2

Using two more panels, make a second X-shape, but this time do NOT slide the panels all the way together. Instead, slide them only about 2/3 of the way together and go to Step 3.



Step 3

Align the two indicated outer ears of the X-shapes as shown. Once the slots are in line with each other, slide them together so that the top and bottom edges of those panels are flush with each other.



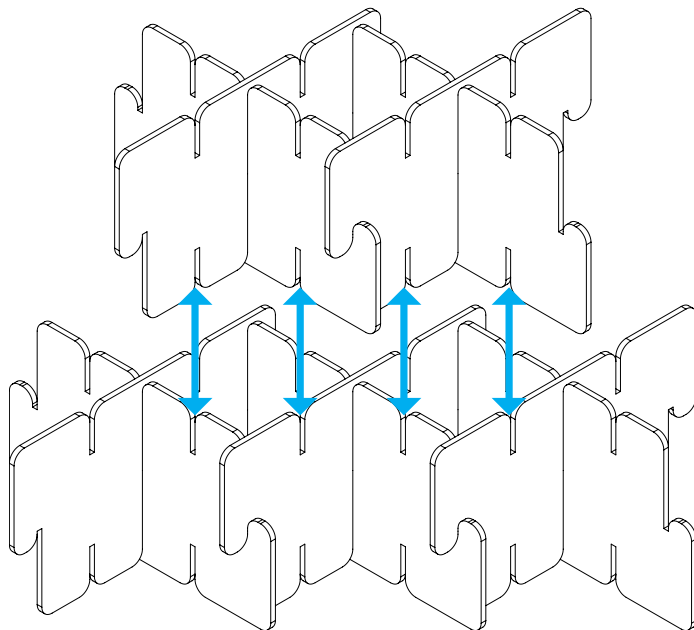
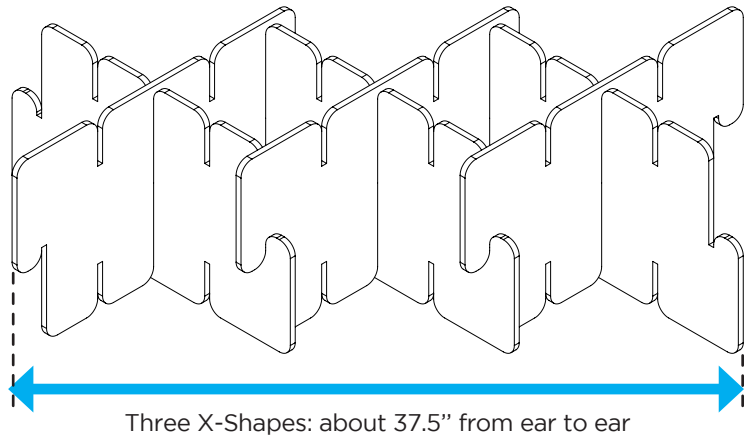
Step 4

To complete the first set of two X-shapes, align the slots near the remaining two outer ears of each of the X-shapes and slide them together so that the top and bottom edges of all four panels are flush with each other.

Continue to add additional X-shapes following the previous steps until the foundation level of your acoustic puzzle wall reaches your desired width.

Each additional X-shape added to a level will increase the total width by about 11.5". Calculate how many X-shapes will be required to fill your space.

You can make your foundation level any width, but for stability, we recommend **no fewer** than three X-shapes for the foundation level of your puzzle wall.

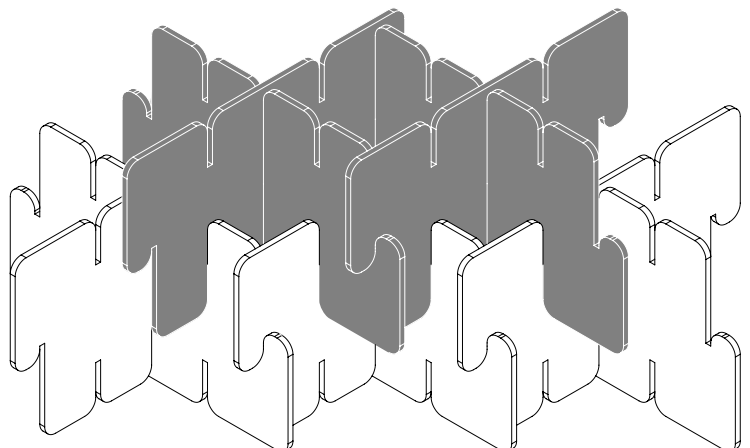


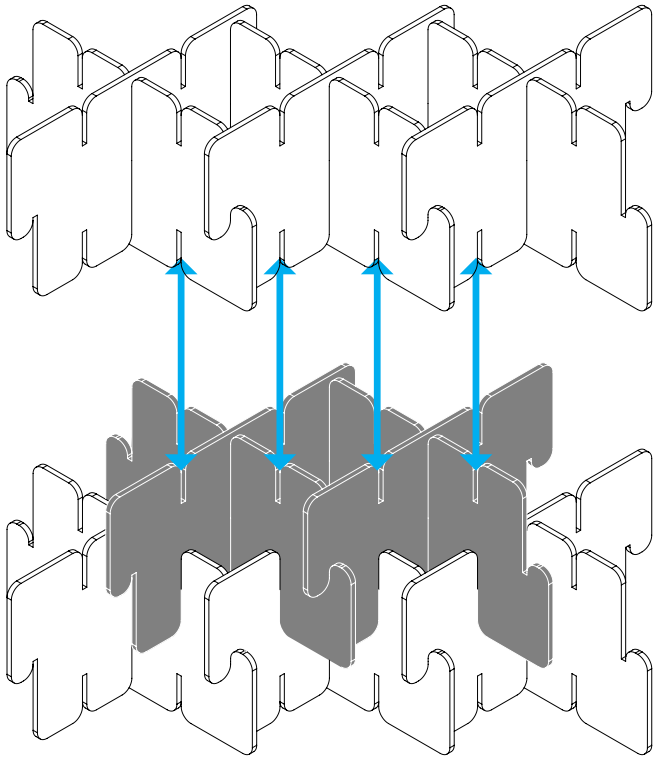
Step 5

Build the second level by repeating steps 1-4. The second level should be always be made with ONE X-SHAPE FEWER than your foundation level.

Line up the slots of the second level with the slots of the first level and then press down evenly until all of the panels of the second level are fully inserted into the panels of the foundation level.

Note: the color difference shown in these instructions is only to illustrate the difference between the odd and even-numbered levels, and how they interconnect.

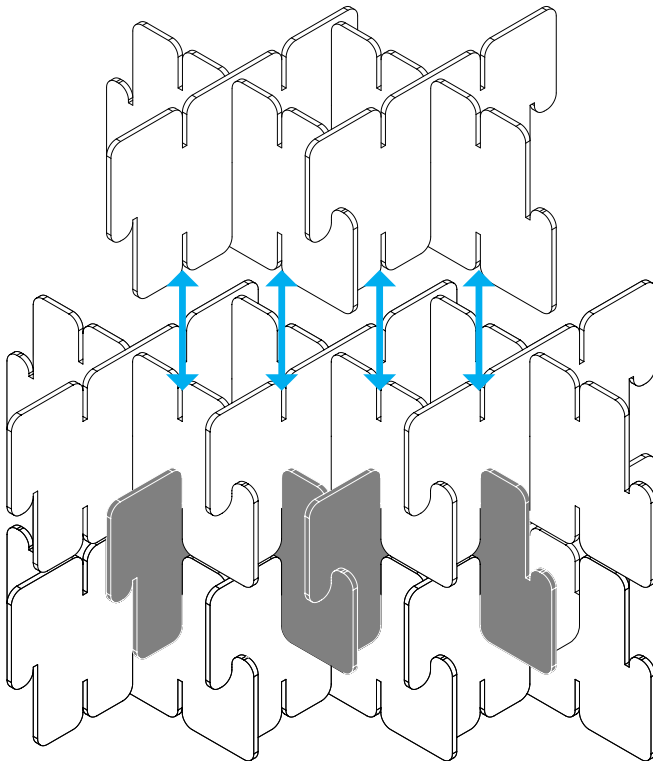




Step 6

Build a third level (and subsequent odd number levels) the same width as the foundation level by repeating Steps 1-4 again. Then refer to Step 5 to attach the third level to the second level.

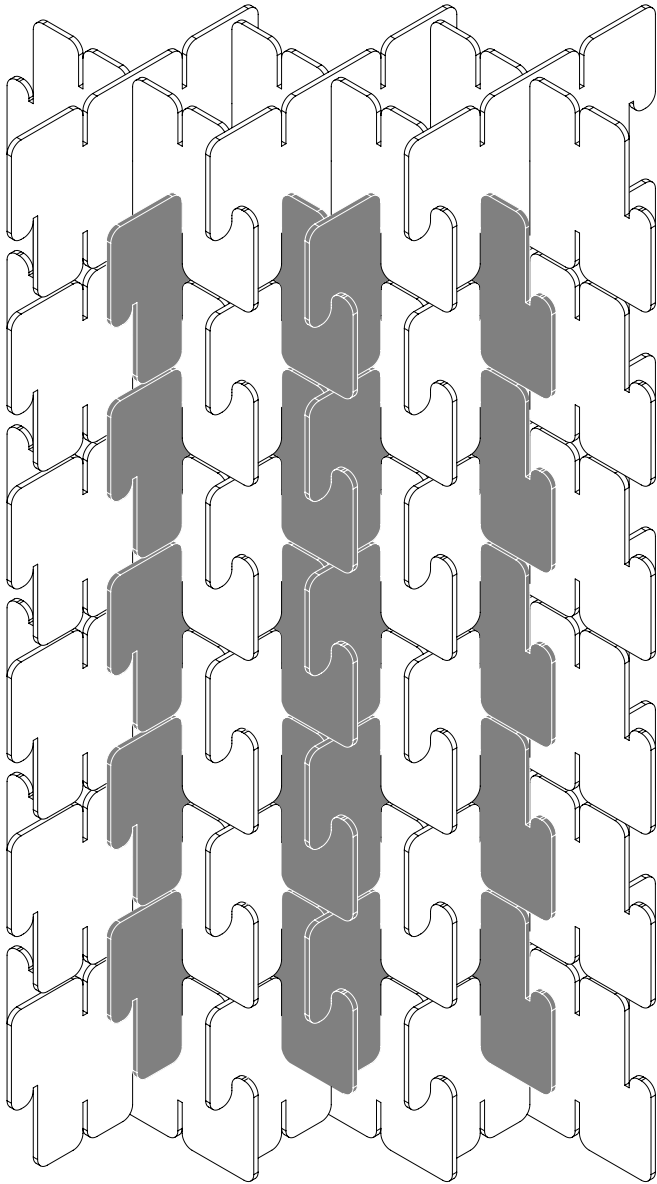
The ends of the third level (and subsequent odd number levels) should be in line with the ends of the foundation level and both levels should be oriented the same way as shown.



Step 7

Continue to add levels by following the previous steps.


Remember that odd-numbered levels should be the same width as the foundation level and even-numbered levels should be one X-shape shorter than the foundation level.




Step 8

We recommend building your puzzle wall **no higher** than 11 levels (6 feet) and **no fewer** than three X-shapes wide (as shown).

CAUTIONS & WARNINGS

 **CAUTION:** Read all instructions before use. Retain manual for future reference.

 **Copyright Notice:** These instructions are a component of this product. These instructions are part of the scope of delivery, even if the item is resold. These instructions are also available on the UPLIFT Desk website: uplift-desk.com. Excerpts or copies may not be forwarded to third parties or used in any other published form without the prior written consent of UPLIFT Desk. These instructions are subject to United States copyright law.