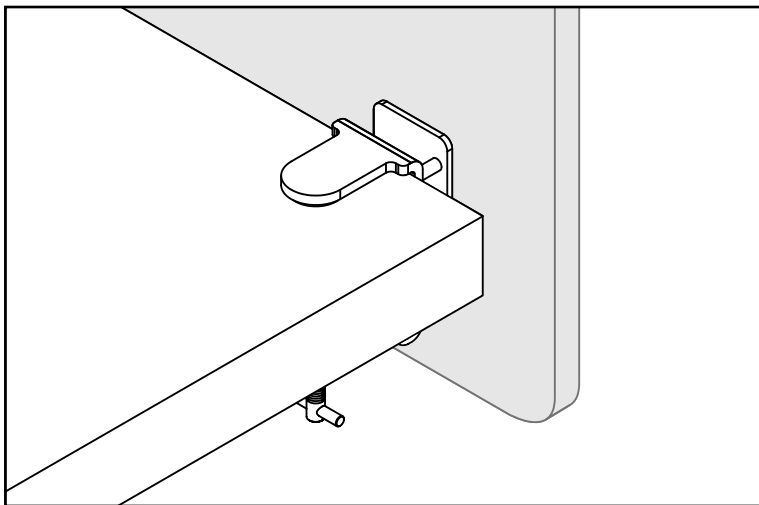
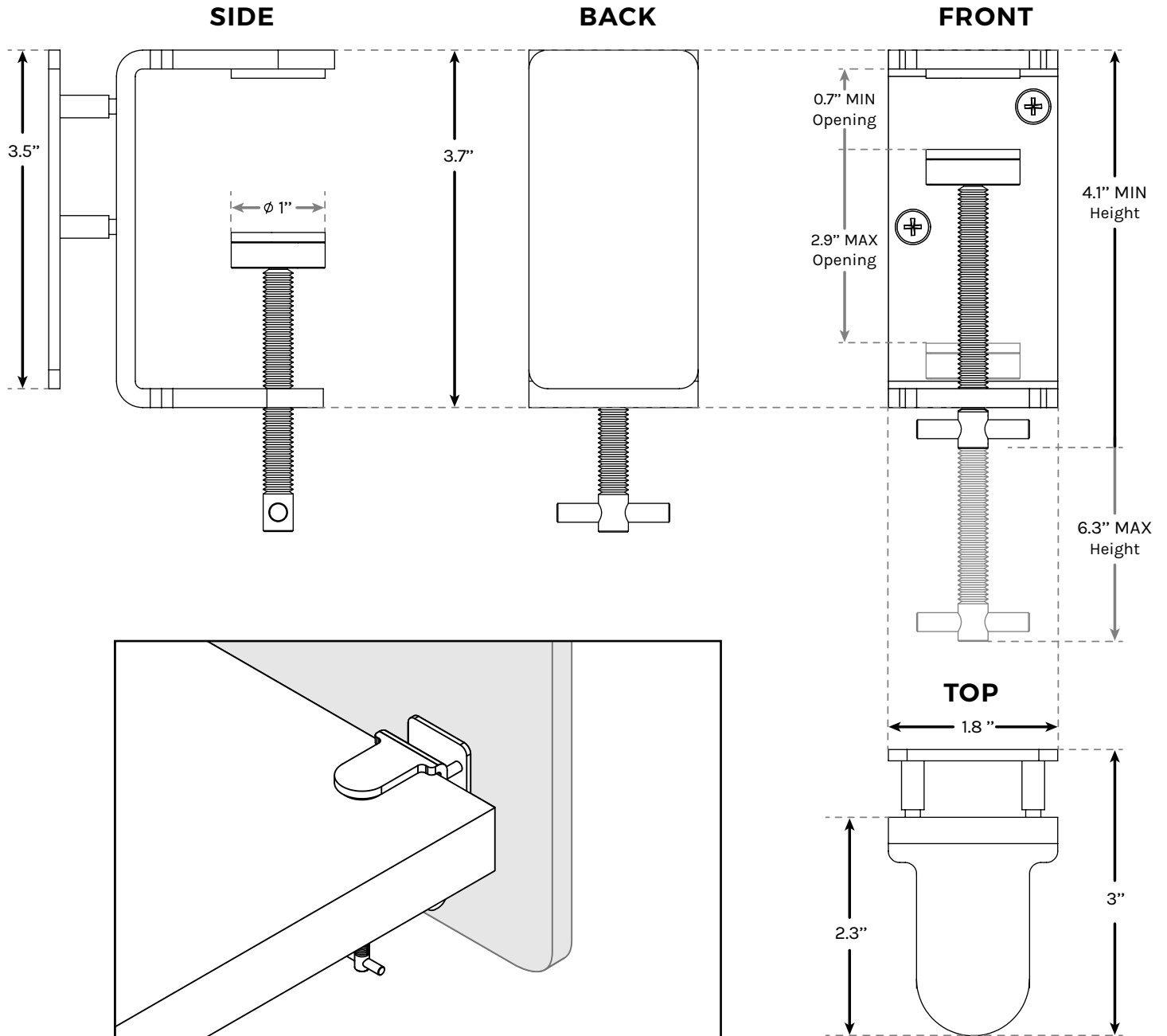


# Panel Clamp Mount

SKU: ACU062

## Specifications



<b>Bracket Material</b>	Steel
<b>Bracket Finish Colors</b>	Black, Gray, Industrial Style, White
<b>Hardware</b>	Zinc plated steel
<b>Warranty</b>	15 year



For help with assembly, find our assembly instructions at <https://bit.ly/3f6ynB1>



For a more in-depth look at this product, see our product video at <https://bit.ly/2ySR4aP>

**i** For technical questions and support call 800-349-3839, email [info@upliftdesk.com](mailto:info@upliftdesk.com), or visit our chat service at [upliftdesk.com](https://upliftdesk.com)