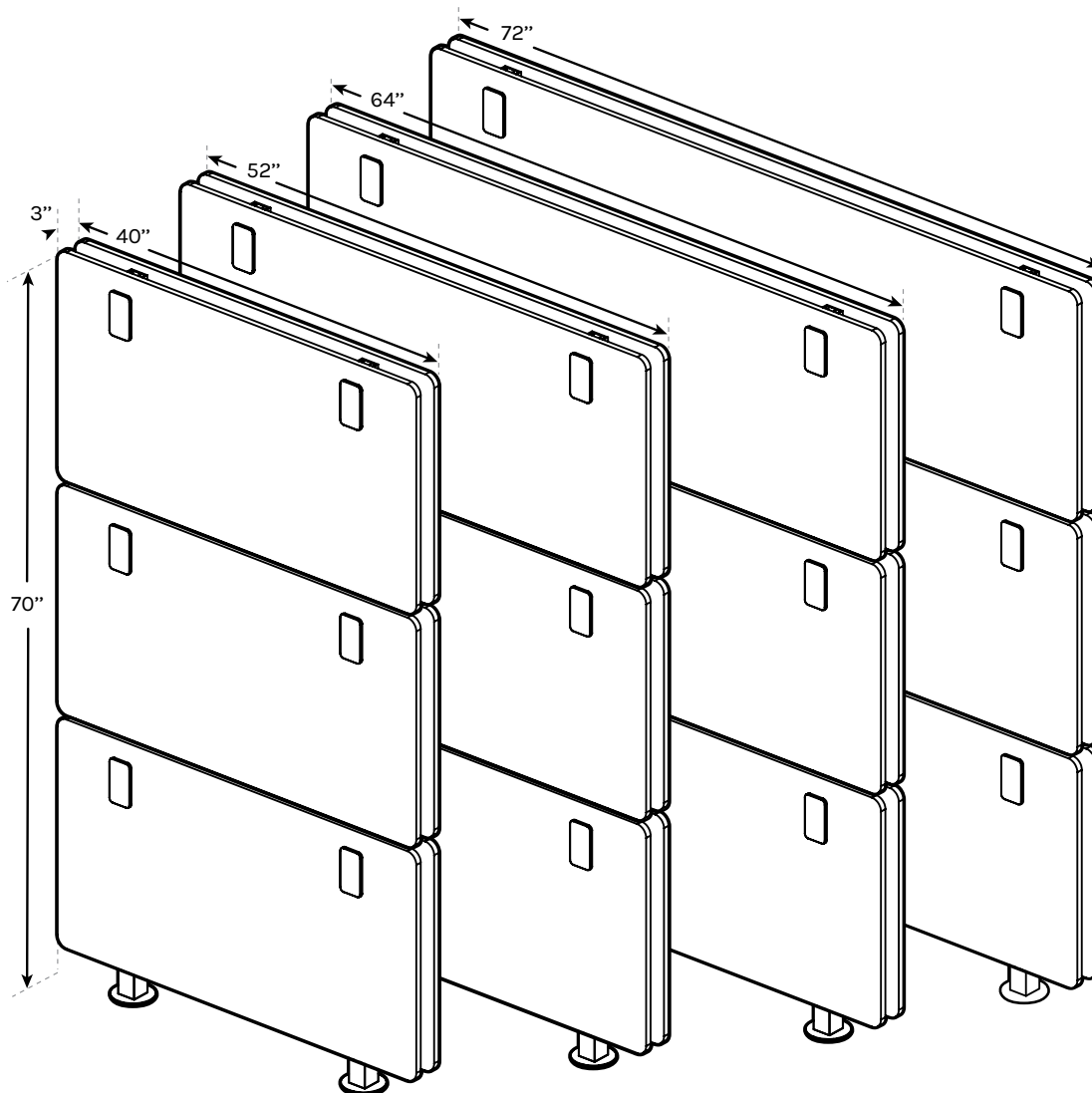


OneWall Acoustic Office Cubicle Partition

Specifications


SKU: ACU013-CUBICLE



Frame Material	Steel
Frame Color	Gray powder coat
Panel Material	Polyester fiber (50% recycled)
Panel Thickness	.6" (15mm)
Panel Colors	Lagoon Blue, Dark Gray, Light Gray, Brown, Green
Noise Reduction Coefficient	>.86 (single panel rating)
Warranty	15 year



For help with assembly, find our assembly instructions at <http://bit.ly/2wOX0Nt>

 For technical questions and support call 800-349-3839, email info@upliftdesk.com, or visit our chat service at upliftdesk.com

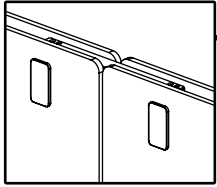
OneWall Acoustic Office Cubicle Partition

Specifications

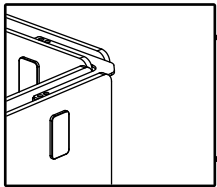
SKU: ACU013-CUBICLE

Joint & Corner Options

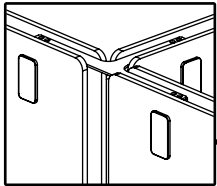
2-wall Straight connection



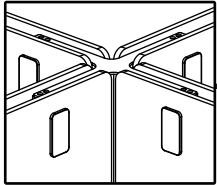
2-wall L connection



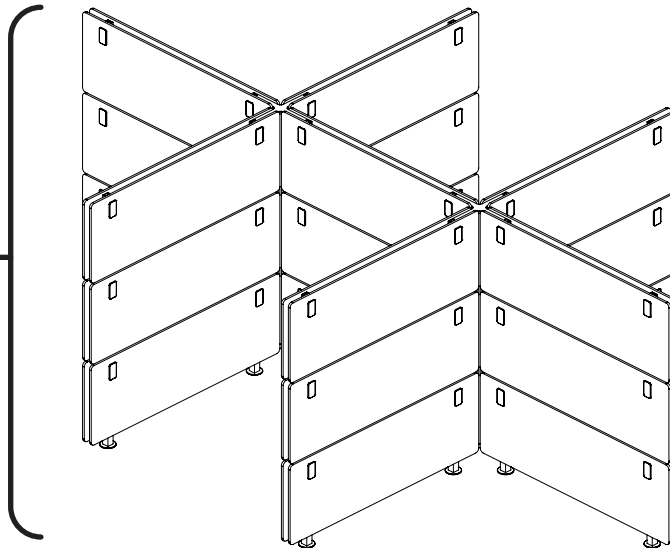
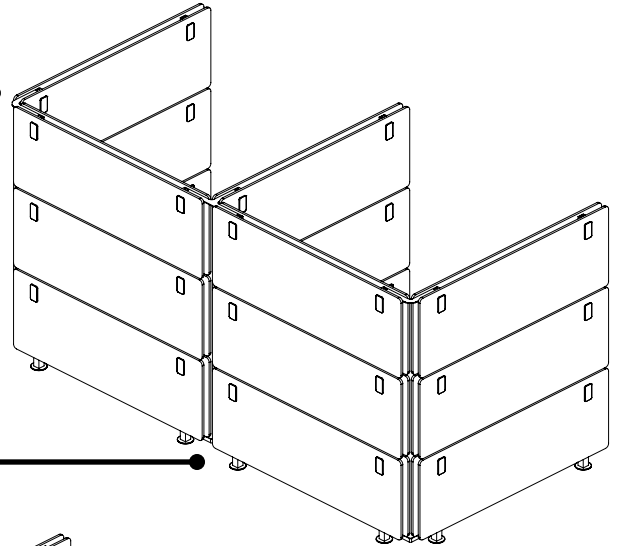
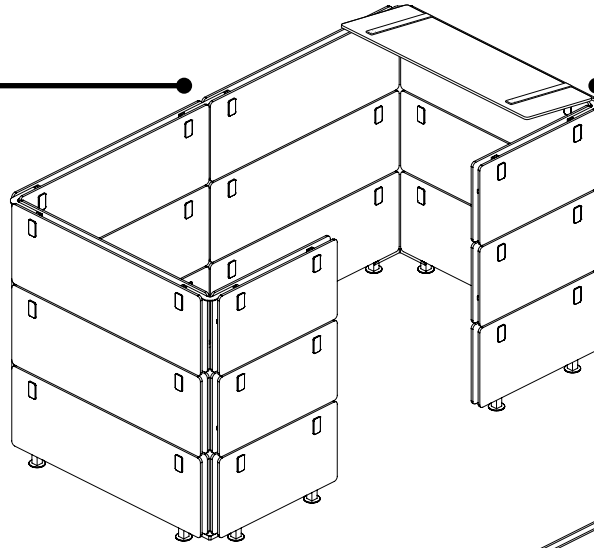
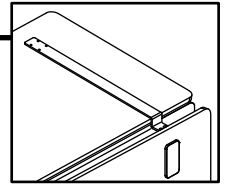
3-wall T connection




4-wall 4-Way connection



Canopy bracket



 For technical questions and support call 800-349-3839, email info@upliftdesk.com, or visit our chat service at upliftdesk.com