

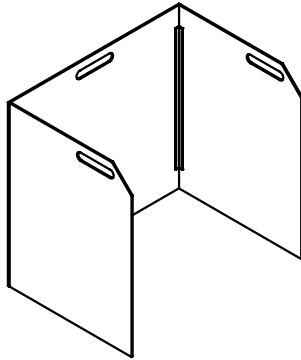
Trifold Acrylic Shield

Specifications

SKU: ACC073

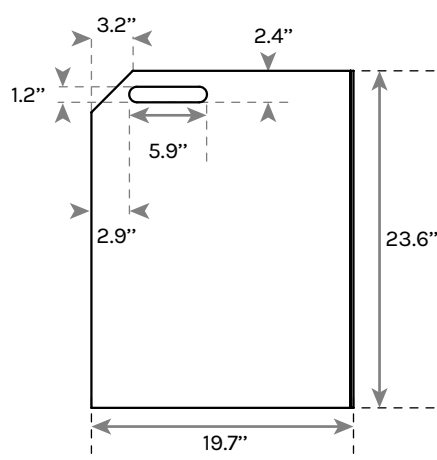
28" SHIELD

weight: 14.5 lb (6.63 kg)



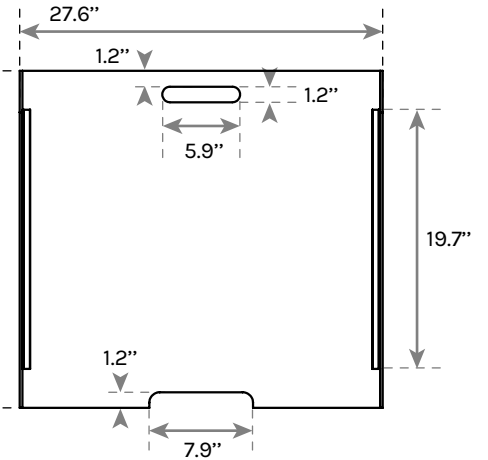
SIDE PANELS

Same measurements on both shields



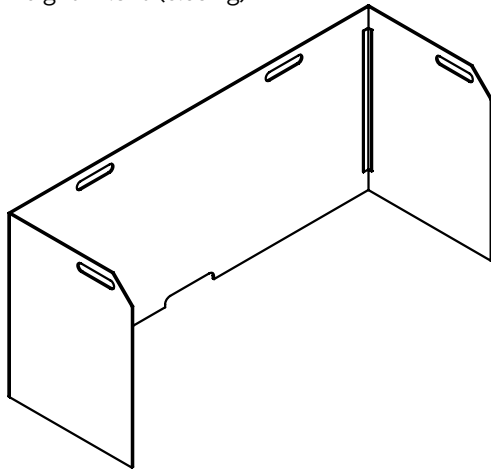
FRONT PANEL

28" Shield



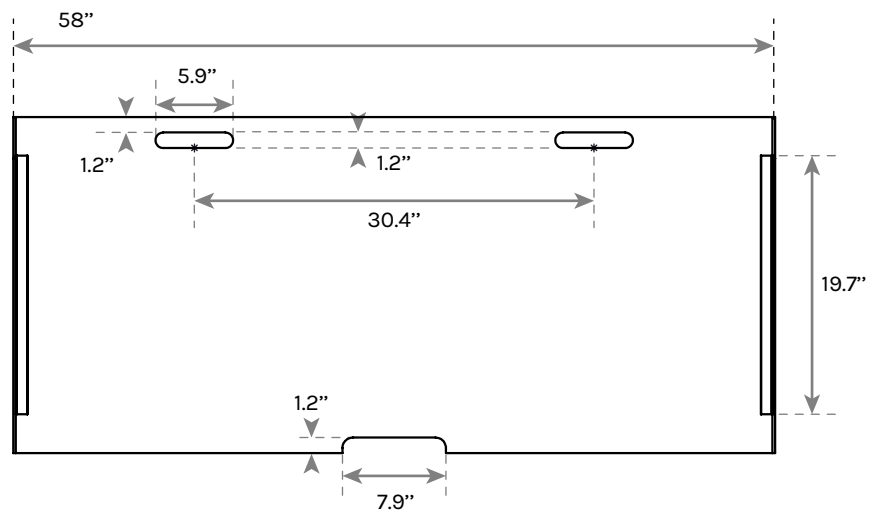
58" SHIELD

weight: 21.3 lb (9.65 kg)



FRONT PANEL

58" Shield



Material


5mm Clear Acrylic

Warranty

15 year
(does not cover scratches or cloudy appearance from improper cleaning)



For help with assembly, find our assembly instructions at <https://bit.ly/2Vi4SUM>

 For technical questions and support call 800-349-3839, email info@upliftdesk.com, or visit our chat service at upliftdesk.com