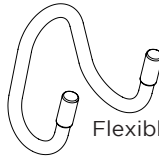


Flexible Desk Hook

ACC067

UPLIFT DESK

Package Contents



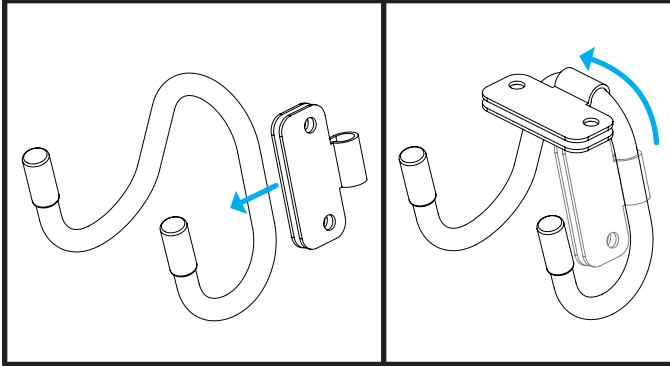
Flexible Hook



Mounting Clip

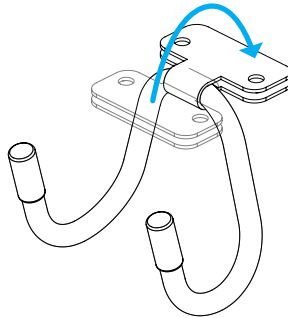


#10x5/8" Wood Screws
(qty 2)



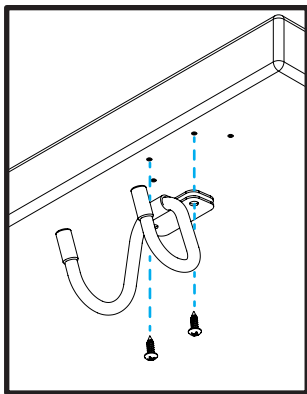
Step 1

- Separate Mounting Clip slightly and slip over Hook as shown.
- Slide Mounting Clip up to top of Hook.

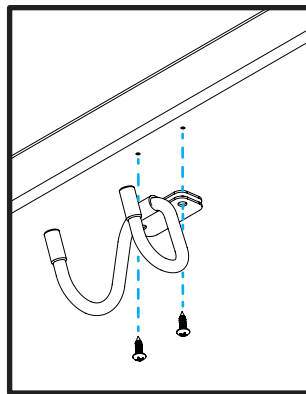


- Flip Mounting Clip 180 degrees over the top of the Hook.

Using
Pre-drilled Holes



Without Using
Pre-drilled Holes

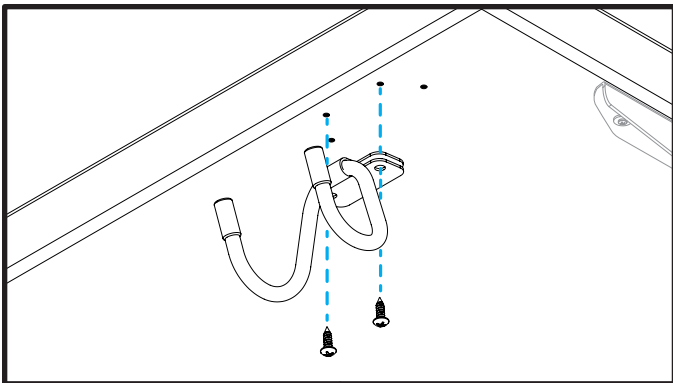


Step 2

Determine your mounting method. There are two ways to attach the Flexible Desk Hook to your desk-top:

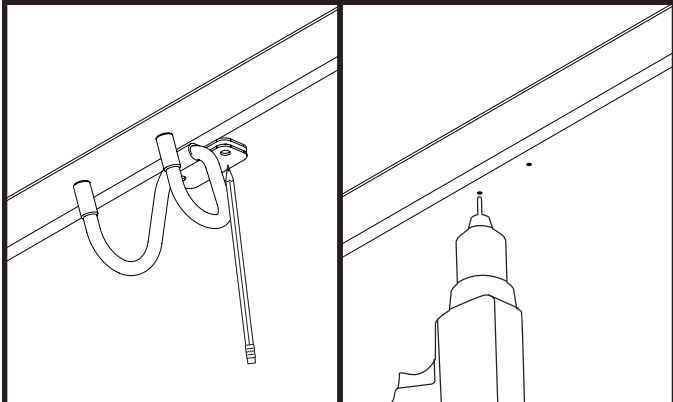
Install Using Pre-drilled Holes: If you would like to attach the Desk Hook to your UPLIFT Desk using the pre-drilled keypad holes on the front, left or right side, follow the "Installation Using Pre-drilled Holes" instructions (Step 3).

Install Without Using Pre-drilled Holes: If you do not have an UPLIFT Desktop with pre-drilled holes or choose to place the Hook in a different location, follow the "Installation Without Using Pre-drilled Holes" instructions (Step 4).



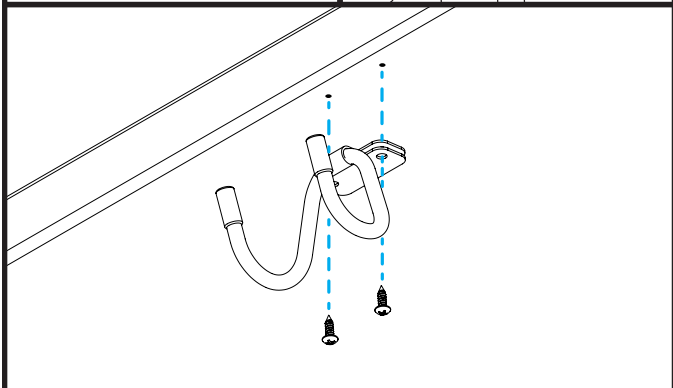
Step 3 (Installation Using Pre-drilled Holes)

- Most UPLIFT desktops include pre-drilled holes on the front, left and right sides for attaching the keypad. The Mounting Clip was designed to attach to the set of pre-drilled holes that are not being used for your desk's keypad.
- Line up the Mounting Clip with the two holes that are closer together in the orientation shown and attach it with the two #10x5/8" Wood Screws.
- Do not over tighten to avoid stripping.

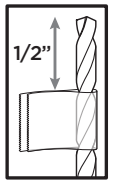


Step 4 (Installation Without Using Pre-drilled Holes)

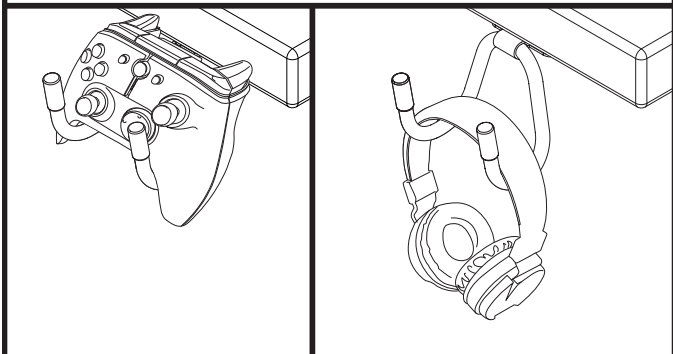
- If you do not have an UPLIFT Desktop with pre-drilled holes or choose to place the Hook in a different location, hold the Mounting Clip where you would like to install it and attach it to your desktop using the two #10x5/8" Wood Screws through the two mounting holes.
- If you own a drill, you can make this a little easier by drilling pilot holes. Hold the Mounting Clip where you would like to attach it and make a pencil mark on the desktop in the center of each mounting hole.



- Next drill a pilot hole at each pencil mark using a 1/8" (or 3mm) diameter bit. **Note: DRILL NO DEEPER THAN 1/2"**. To ensure this, we recommend wrapping a piece of tape around your drill bit 1/2" from the tip. Stop drilling just before the tape touches the desktop.



- Attach the Mounting Clip and Hook to the desktop using the #10x5/8" Wood Screws.



Step 5

- Bend the prongs of the Hook to the shape that best suits the item you plan to hang on them. Use your Hook to hold large headphones, gaming controllers, headsets, water bottles, purses, coiled cables, or other items.
- Maximum weight limit for the installed Hook is 10 pounds.

⚠ CAUTIONS & WARNINGS

⚠ CAUTION: Read all instructions before assembly. Failure to assemble or operate properly may result in damage or personal injury. Retain manual for future reference.

© Copyright Notice: These instructions are a component of this accessory. These instructions are part of the scope of delivery, even if the item is resold. These instructions are also available on the UPLIFT Desk website: upliftdesk.com. Excerpts or copies may not be forwarded to third parties or used in any other published form without the prior written consent of UPLIFT Desk. These instructions are subject to United States copyright law.