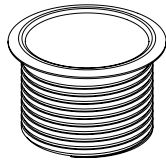


# Storage Grommet

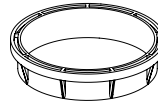
SKU: ACC059

UPLIFT DESK®

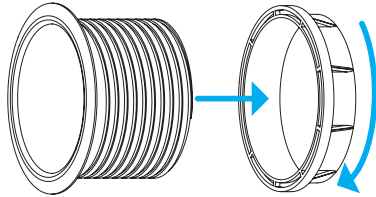
## Package Contents



Cup

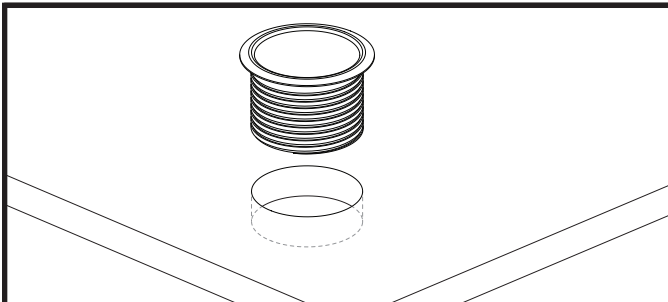


Locking ring



### Step 1

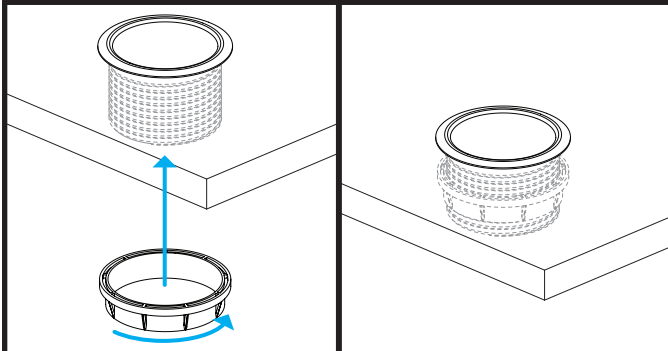
Remove the Locking ring from the Cup.



### Step 2

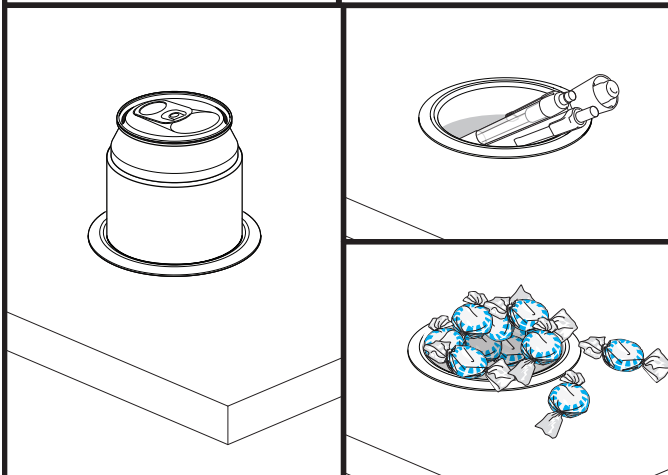
Insert the Cup into a grommet hole on your table or desktop. The hole will need to be at least 3.15" (80mm) in diameter and no more than 3.35" (85mm). All grommet holes in UPLIFT Desktops are 80mm in diameter.

The unit will fit in Desktops between 1/2" and 1-7/8" thick.



### Step 3

Once in place, from under the table, screw the Locking ring onto the Cup, this will keep it locked in place.



### Step 4

Once in place, you can use the Storage Cup to hold drinks, pens, pencils, paper clips, candy, small remotes, or other small items.

## ⚠ CAUTIONS & WARNINGS

⚠ **CAUTION:** Read all instructions before assembly. Failure to assemble properly may result in damage.

© **Copyright Notice:** These instructions are a component of this accessory. These instructions are part of the scope of delivery, even if the item is resold. These instructions are also available on the UPLIFT Desk website: [uplift-desk.com](http://uplift-desk.com). Excerpts or copies may not be forwarded to third parties or used in any other published form without the prior written consent of UPLIFT Desk. These instructions are subject to United States copyright law.