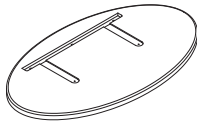


Motion-X 6-Pack Rack

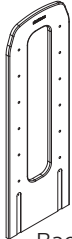
SKU: ACC052

UPLIFT DESK

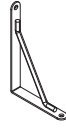
Package Contents



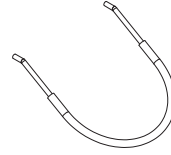
Base






Back

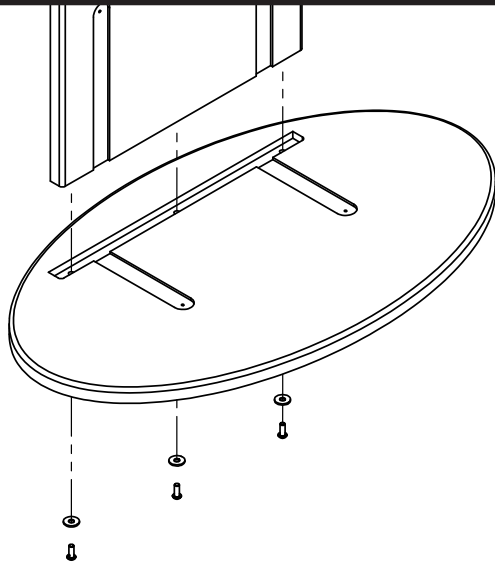


Support bracket (qty 2)



Hanger bar (qty 6)

-  M6x16 machine screw (qty 15)
-  M6x20 washer (qty 15)
-  M5x16 wood screw (qty 4)

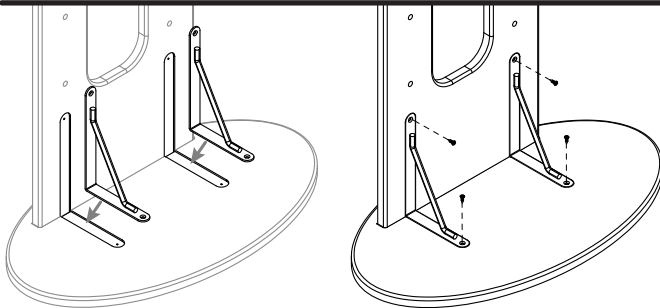


Step 1

Attach the Base to the Back by first fitting the Back into the slot on the top of the Base.

Be sure that the grooves for the Support brackets on the Back and the Base are on the same side and are adjacent to each other.

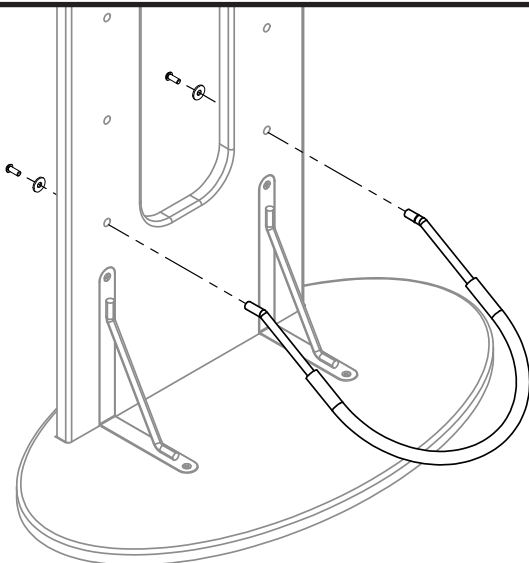
From the bottom of Base, install three M6x16 machine screws and three M6x20 washers. Be careful not to overtighten or strip the screws.



Step 2

Fit the Support brackets into the grooves on the Base and Back assembly, and attach using two M5x16 wood screws on each bracket.

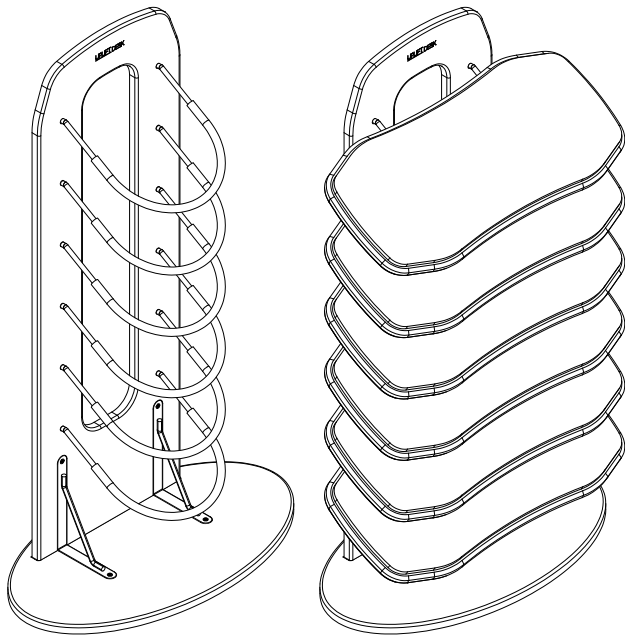
Be careful not to overtighten or strip the screws.



Step 3

Insert a Hanger Bar as shown into two of the recessed holes on the front side of the Base and Back assembly and attach from the back side using two M6x16 machine screws and two M6x20 washers. Make sure the screws are snug but be careful not to overtighten or strip the screws.


Once secure, continue with the remaining Hanger bars and hardware, working your way up.




Step 4

At this point, your Motion-X 6-Pack Rack assembly is complete and should look like the image to the left. Move the rack to a location that is accessible to all users and load it up with your Motion-X boards. The Hanger bars are designed to fit the molded base of the Motion-X boards. Insert the boards with the top side facing up as shown in the image to the right (boards are shown with optional Comfort Mat attached).

CAUTIONS & WARNINGS

 **CAUTION:** Read all instructions before assembly. Failure to assemble or operate properly may result in damage or personal injury. Retain manual for future reference.

 **Copyright Notice:** These instructions are a component of this accessory. These instructions are part of the scope of delivery, even if the item is resold. These instructions are also available on the UPLIFT Desk website: upliftdesk.com. Excerpts or copies may not be forwarded to third parties or used in any other published form without the prior written consent of UPLIFT Desk. These instructions are subject to United States copyright law.