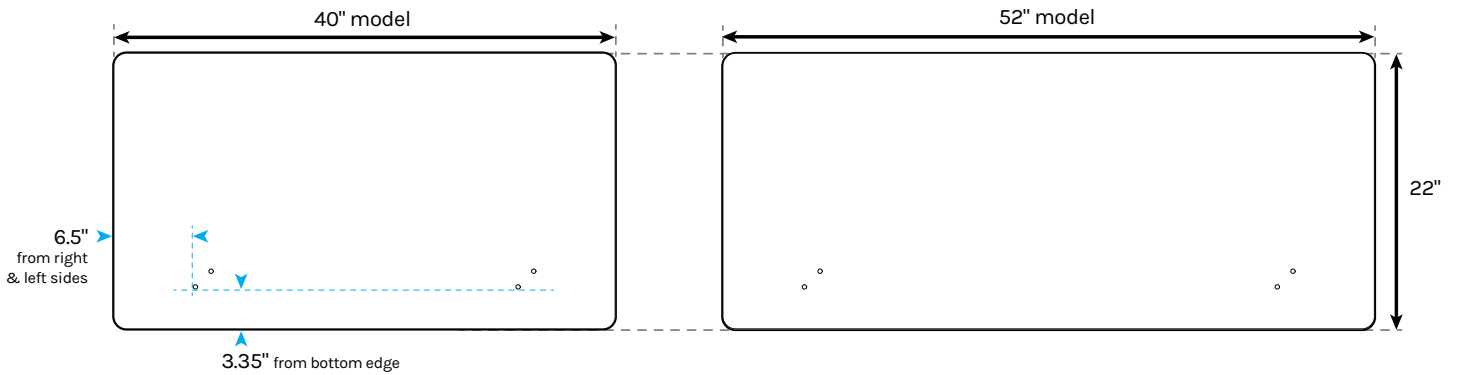


Frosted Acrylic Privacy Panel

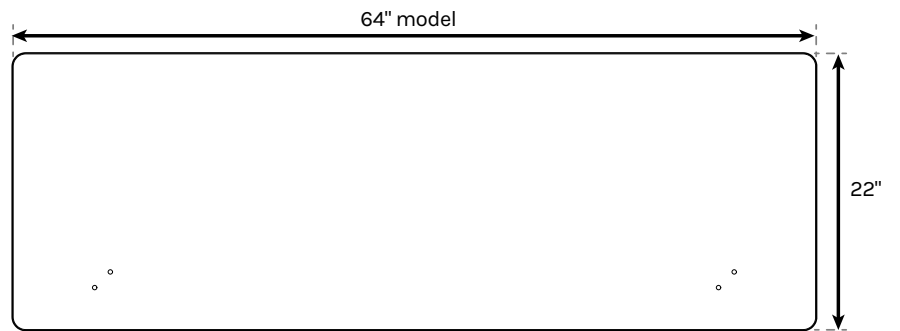
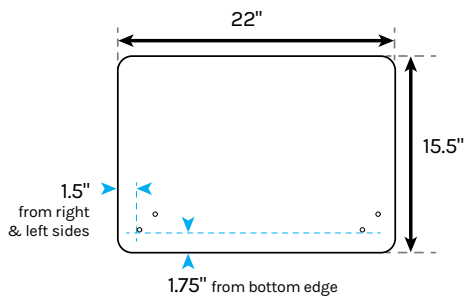
SKU: ACC034

Specifications

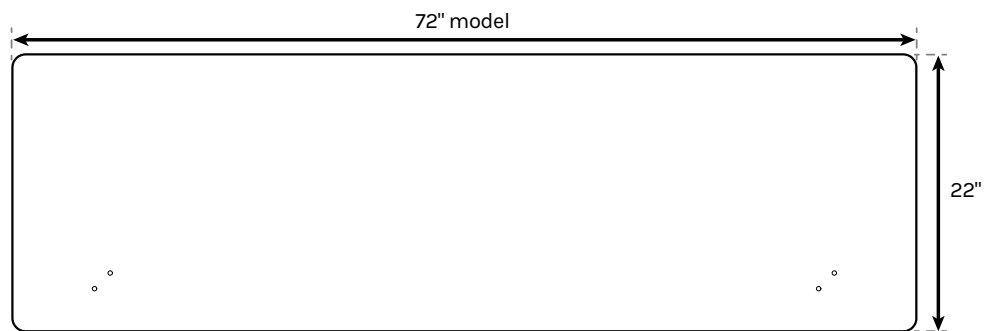
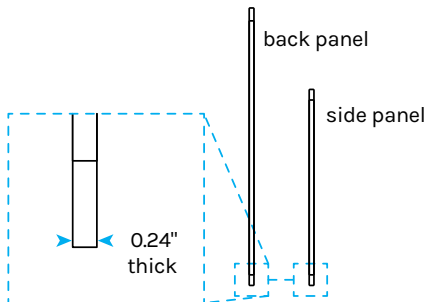
BACK PANELS - FRONT VIEW



SIDE PANEL - FRONT VIEW



SIDE VIEW



Panel Material Extruded acrylic sheet

Panel Thickness 0.24" (6mm)

Panel Color Frosted (both sides)

Warranty 15 year



For help with assembly, find our assembly instructions at <https://bit.ly/2ShDm8s>

For technical questions and support call 800-349-3839, email info@upliftdesk.com, or visit our chat service at upliftdesk.com