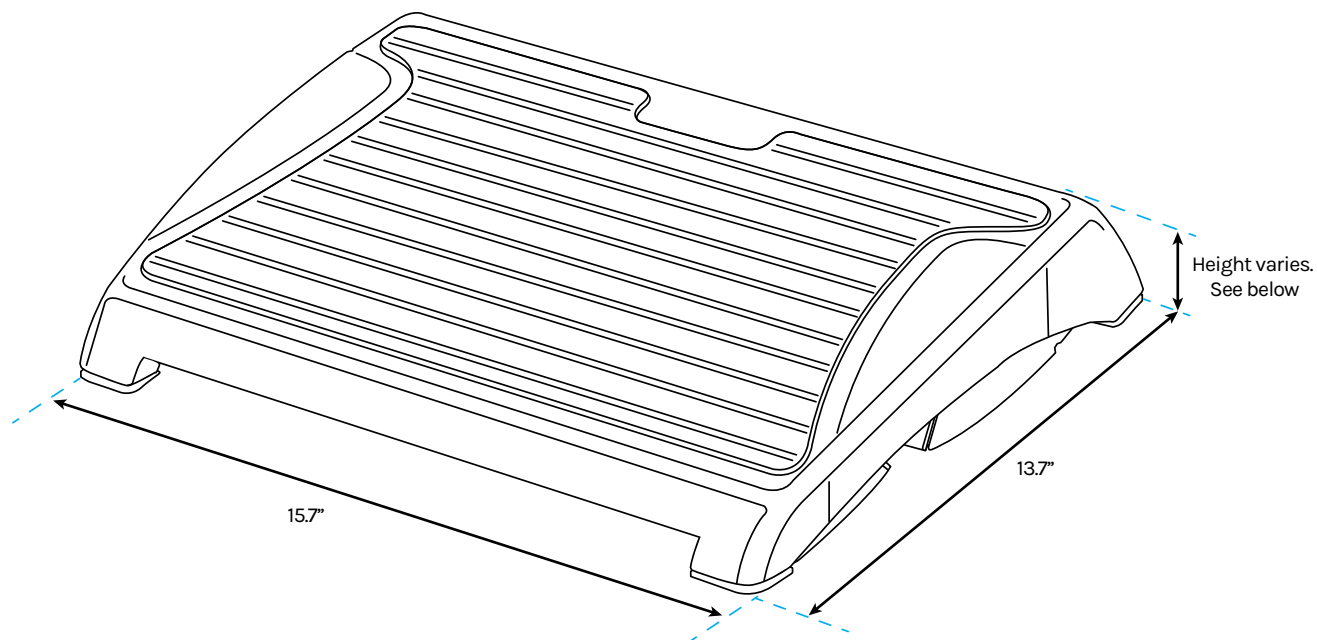


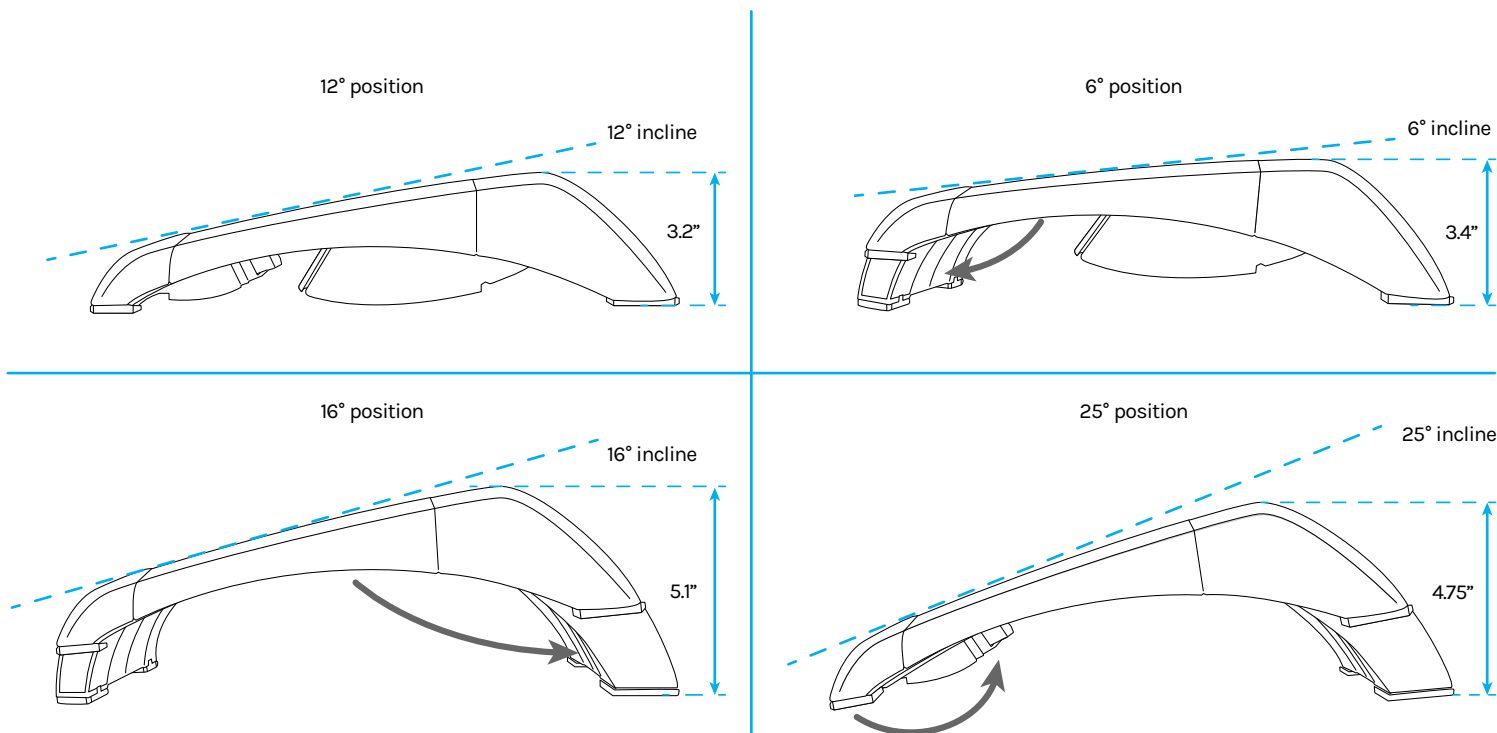
# E3 Adjustable Footrest

SKU: ACC019

## Specifications



### SIDE VIEWS



**Color** Black with Grey details

**Warranty** 15 year

For technical questions and support call 800-349-3839, email [info@upliftdesk.com](mailto:info@upliftdesk.com), or visit our chat service at [upliftdesk.com](https://upliftdesk.com)