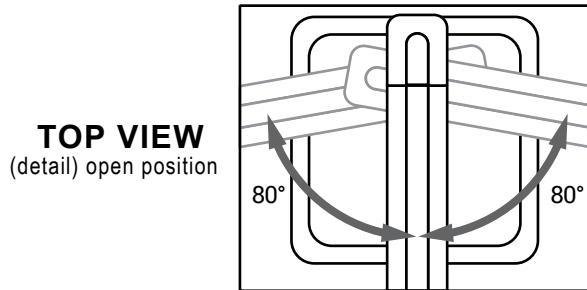
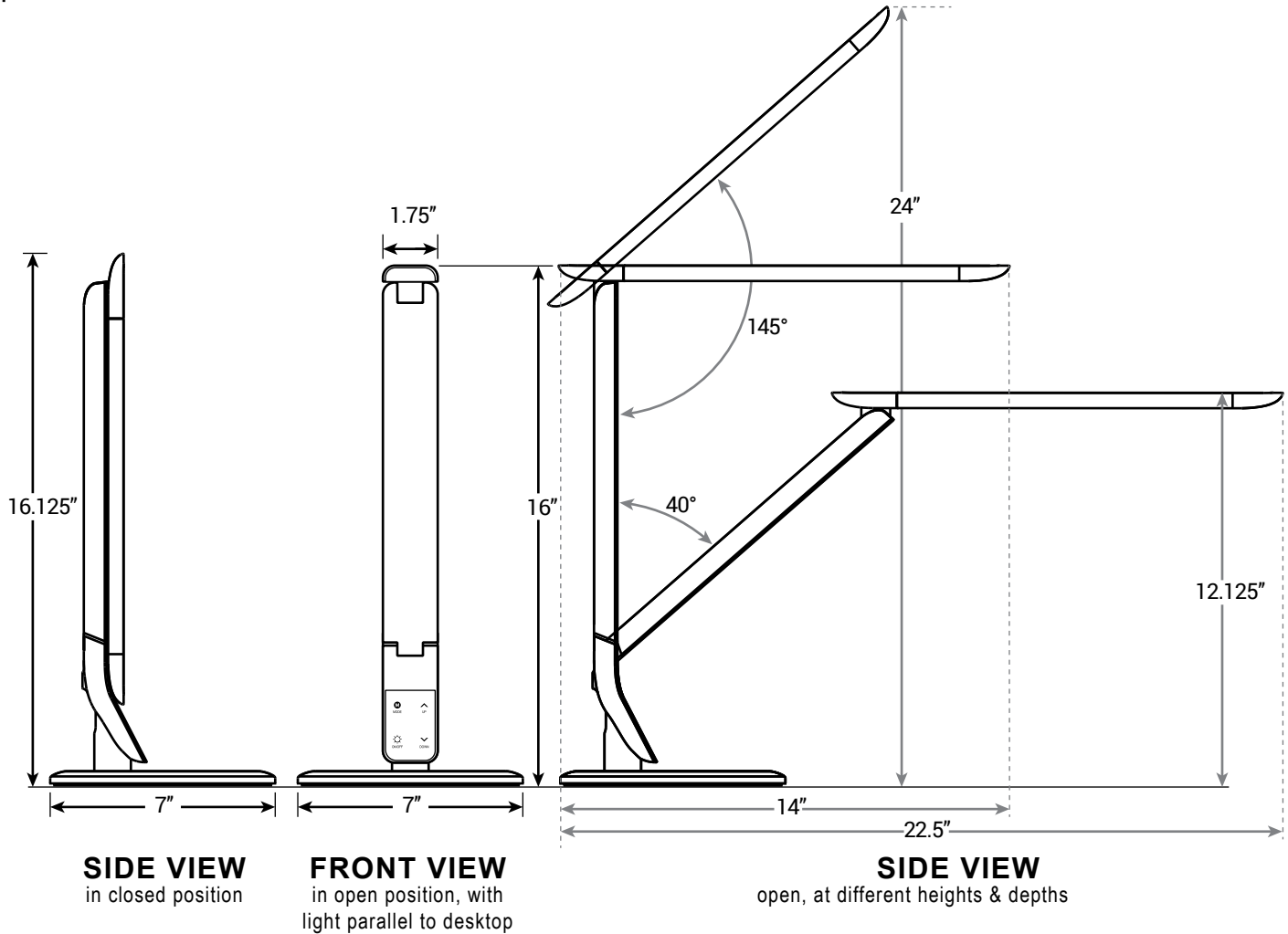


UPLIFT LED TASK LIGHT

UPLIFT DESK®

Specifications



CAPABILITIES

Number of LED Bulbs	43 (22 cold, 12 warm)
Light Temperature	Cold: 5880K, Warm: 3160K, Natural: 4200K
Max Wattage	10 W
Angle adjustment	Light Arm 145°, Stem 40°
Rotation at Base	160°
Warranty	1 year

FEATURES

- High-performance LED components make a more concentrated light
- Three available color temperature modes - Cold, Warm and Natural
- Features touch panel dimmer with five grades of brightness strength
- Sturdy, detachable aluminum design features folding angle adjustment and biaxial rotation, allowing for the best possible lighting angle
- Low-level power consumption 90 percent more efficient than that of an incandescent light
- Long service lifespan of over 35,000 hours