

# UPLIFT DESK®

# UPL144 Corner Sleeve Assembly Instructions

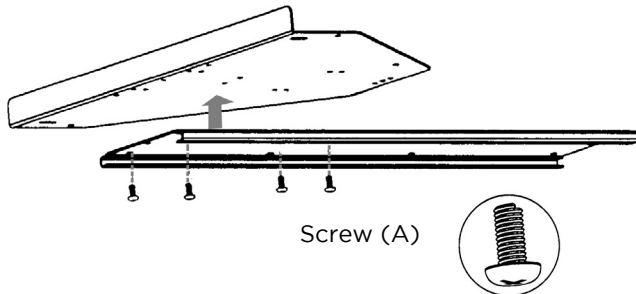
## What's in the box

- Corner Sleeve - top half
- Corner Sleeve - bottom half
- Two (2) Barrel Nuts
- Ten (10) 10-32 x 3/8" Screws (A)
- Five (5) 10-11 x 5/8" Screws (B)

## Tools required

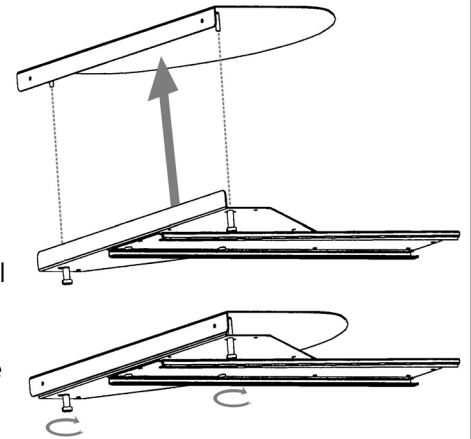
- Phillips head screwdriver
- Slotted screwdriver
- 1/8" [3.2mm] Drill Bit

**Step 1** - Use four (A) Screws to attach the track from your keyboard tray to the bottom half of the Corner Sleeve. (keyboard tray track not included in this kit. Obtain it from your keyboard tray contents)

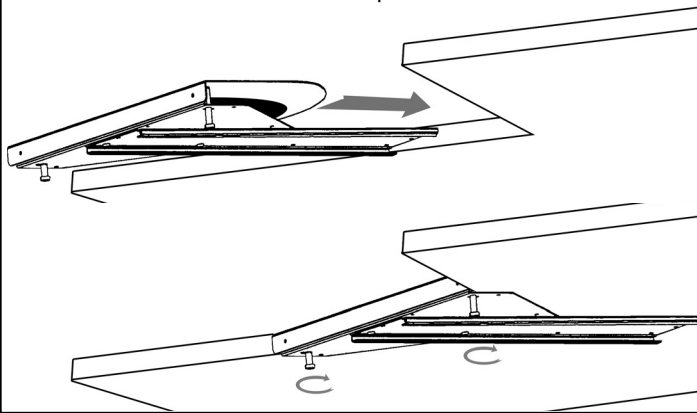


**Step 2** - Take the top-half of the Corner Sleeve and lower it onto the bottom-half.

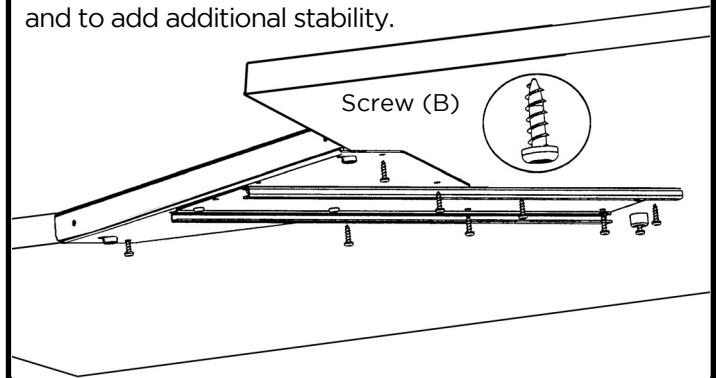
Tighten the Barrel Nuts loosely. Do not tighten the Barrel Nuts all the way until Step 3.



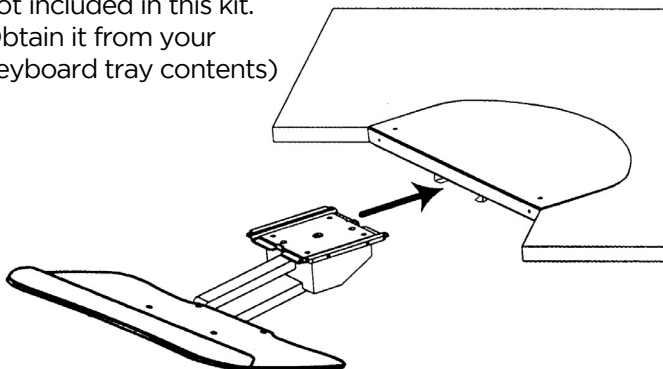
**Step 3** - Slide the Corner Sleeve onto the corner of the desktop where you want it. Once it is in place, tighten the Barrel Nuts to secure it in place.



**Step 4** - Drill pilot holes (1/8" wide; 5/8" deep) then use the five (B) Screws to firmly attach the sleeve and track onto the desktop. Use the screws from your keyboard tray kit to attach the rear-bumper and to add additional stability.



**Step 5** - Slide your keyboard tray mechanism onto the track. (keyboard tray mechanism not included in this kit. Obtain it from your keyboard tray contents)



**Step 6** - Using the remaining (A) Screws, attach the front bumper to the keyboard tray track, to prevent your keyboard tray mechanism from sliding forward off the track.

