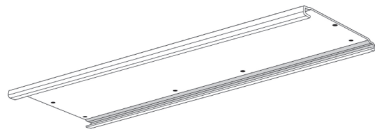


UPLIFT DESK[®] CPU Holder UPL128

Package contents



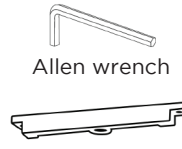
Track



5/8" Wood screws
(qty 12)

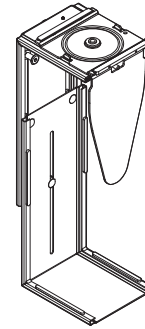


Back bumper

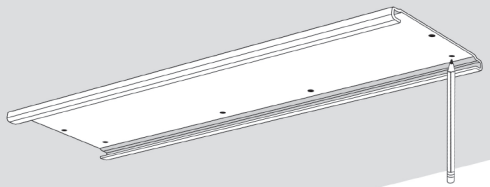


Allen wrench

Track guard

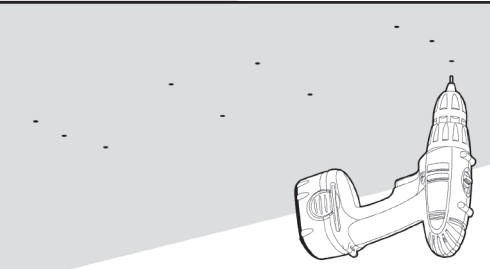


UPLIFT
CPU Holder



Step 1

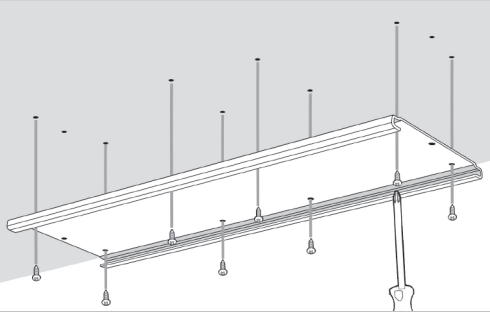
Determine where to mount the CPU Holder. Hold it under your desk to see where it will fit. Mark the location of the screw holes with a pencil.



Step 2

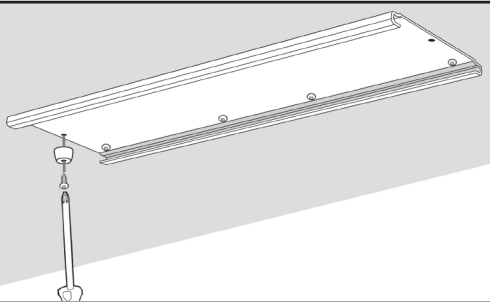
Use a drill with a 1/8" to 3/16" bit to make pilot holes where your two pencil marks are located. Only drill deep enough to get the tip of the screw in.

CAUTION: Do not drill through the desktop surface.



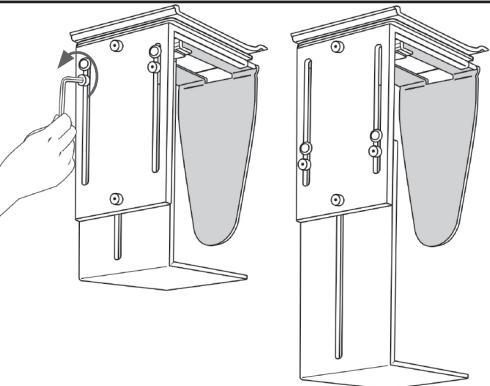
Step 3

Make sure screws aren't too long for your desktop thickness by holding the screw up to the desktop side. Attach the track to the underside of the desk by using eight (8) Wood screws and a Phillips head screwdriver.



Step 4

Using one (1) Wood screw, attach the rubber Back bumper to the rear side of the track.

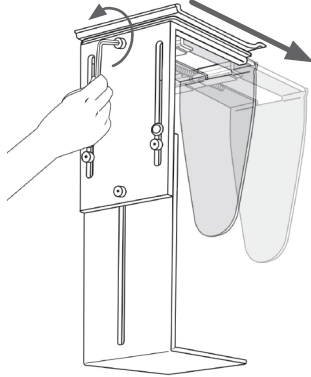


Step 5

Use the Allen wrench and loosen the three (3) bolts on the side of the CPU holder. This will loosen the lower half of the vertical clamp, and allow you to slide it to its full height.

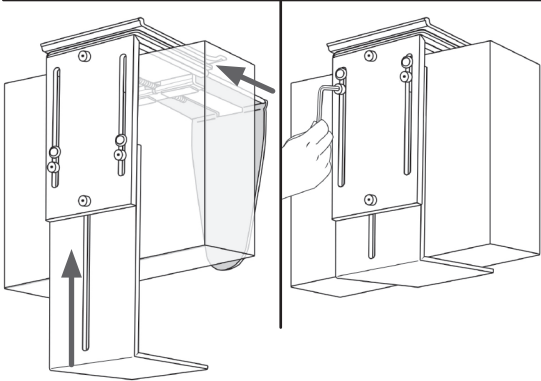
UPLIFT DESK[®] CPU Holder

UPL128



Step 6

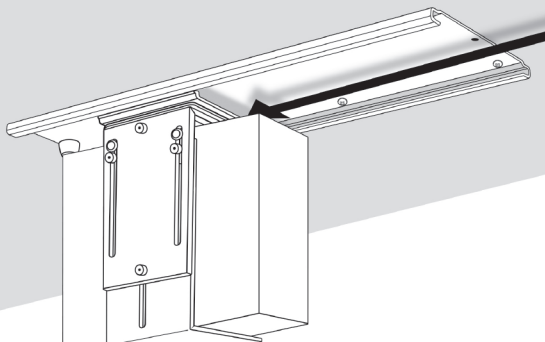
Use the Allen wrench and loosen the one (1) bolt on the side top center of the CPU holder. With sufficient unscrewing, the horizontal clamp will widen.



Step 7

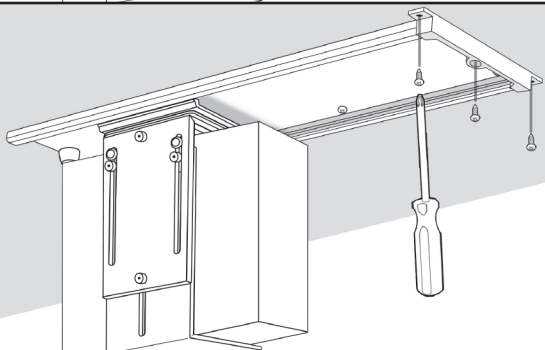
Place your CPU into the holder, and reverse what you did in Steps 5 and 6. Slide the lower half of the vertical clamp up to hold the CPU, and tighten the bolts.

Tighten the top center bolt to bring the horizontal clamp inward and hold the CPU securely.



Step 8

Slide the CPU and CPU Holder onto the track.



Step 9

Use (3) three remaining Wood screws to attach the Track guard to prevent the CPU Holder from sliding off.

© **Copyright Notice:** These instructions are a component of the UPLIFT CPU Holder. These instructions are part of the scope of delivery, even if the item is resold. These instructions are also available on the UPLIFT Desk website: upliftdesk.com. Excerpts or copies may not be forwarded to third parties or used in any other published form without the prior written consent of UPLIFT Desk.
These instructions are subject to United States copyright law.