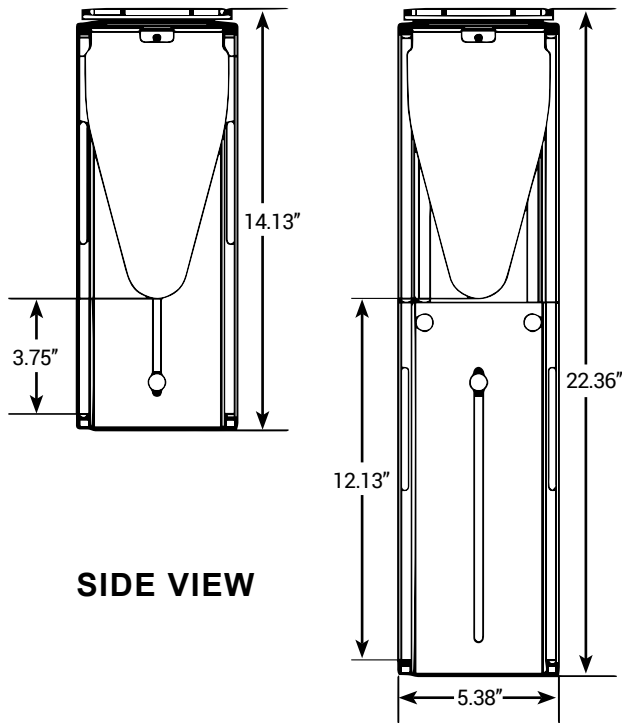


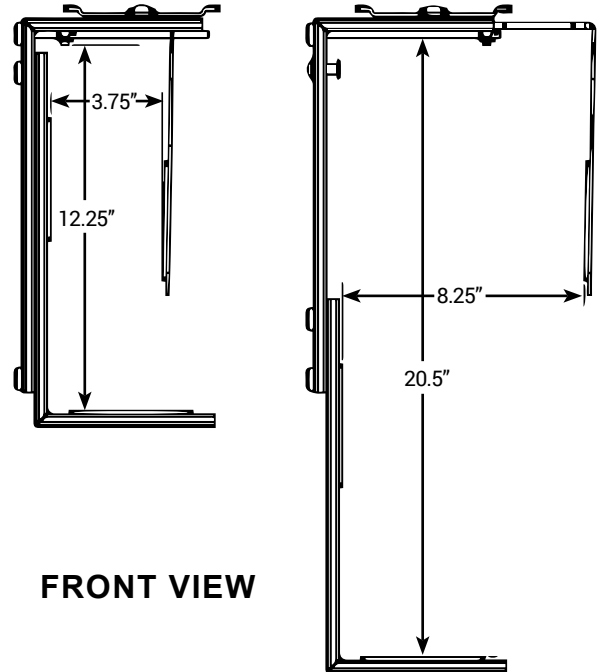
UPLIFT CPU HOLDER

UPLIFT DESK®

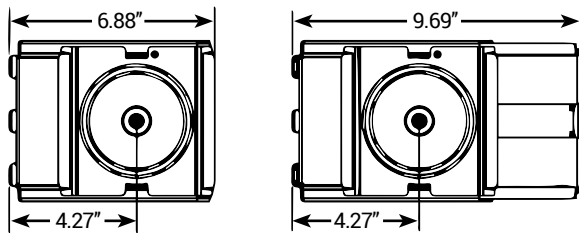
Specifications



SIDE VIEW



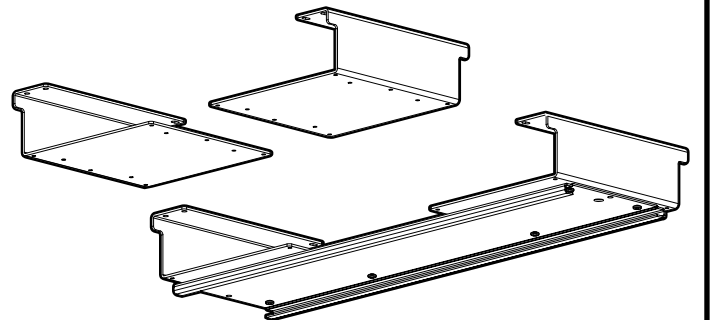
FRONT VIEW



TOP VIEW

ADDITIONAL PIECES

Track Spacer To help track clear obstacles like crossbar rails



CAPABILITIES

Weight Capacity	50 lbs
CPU Width	Accommodates 3.75" - 8.25" W
CPU Height	Accommodates 12" - 20.5" H
Track Length	16" L
Swivel at Mount	360°

FEATURES

- Mounts to the underside of your desk via mounting hardware and 16" track
- Swivels 360 degrees and retracts along track, allowing for easy adjustment and access to ports
- Adjusts to fit computer towers ranging from 3.75" to 8.25" wide and 12" to 20.5" high
- Durable black textured powder-coated steel frame can hold CPU up to 50 lbs