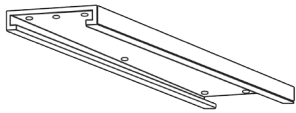


UPLIFT DESK[®] Large Keyboard Tray

UPL127

Package contents



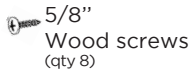
Track



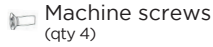
Front bumper



Back bumper



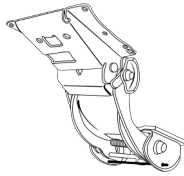
5/8" Wood screws (qty 8)



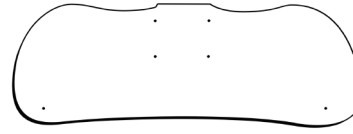
Machine screws (qty 4)



Acorn nuts (qty 4)



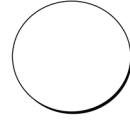
Mechanism



Keyboard tray



Palm support



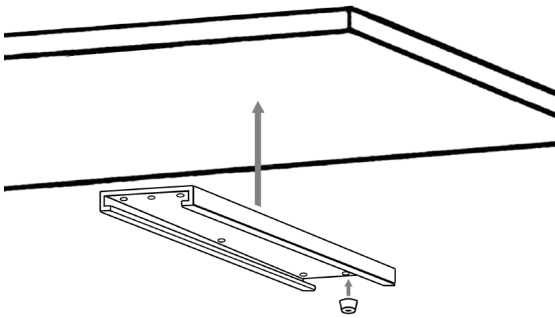
Mousepad



Cord catcher



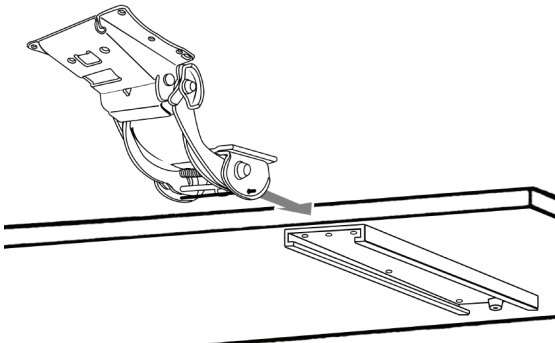
Adhesive pads (optional, qty 4)



Step 1

Take the Track and place underneath your desktop, in order to figure out where to place it. If there are pre-drilled holes in your desktop, line the track up with the holes, or you can pre-drill your own 1/8" pilot holes. Be sure to leave about 1/2" from the front edge of the desk.

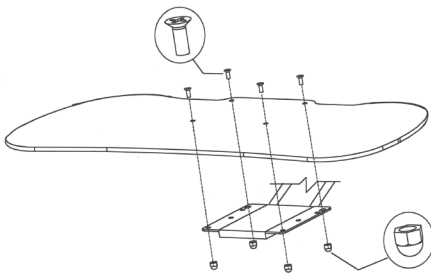
Use eight (8) Wood screws to attach the track to the desktop, and one more screw to attach the rear bumper as shown.



Step 2

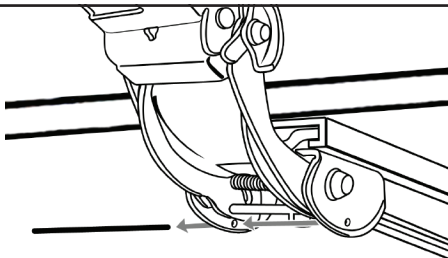
With the desk right side up, line up the mechanism with the grooves on the track and slide it in.

Please note: the mechanism will not adjust up or down until the tray has been attached and the shipping pin is removed (see steps 3 and 4).



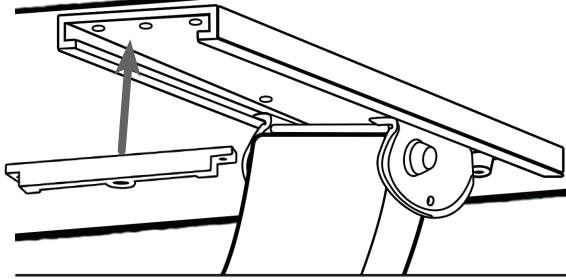
Step 3

Attach the tray to the mechanism by lining up the holes in the tray with the holes on the mechanism, and secure by inserting the four (4) Machine screws through the holes, and screwing the four (4) Acorn nuts onto them from below.



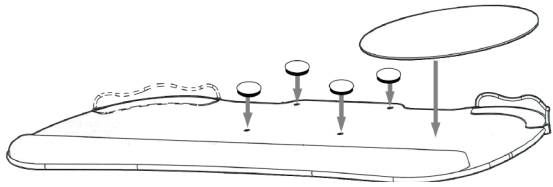
Step 4

Lift up on the front of the tray and lower the back to relieve pressure on the shipping pin and remove it.



Step 5

Finally, lower the tray, slide it back on the track and install the front bumper.

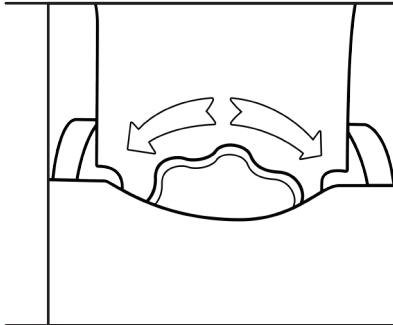


Step 6

Attach the foam palm support onto the front of the tray. Place the mousepad and cord catcher to the desired side.

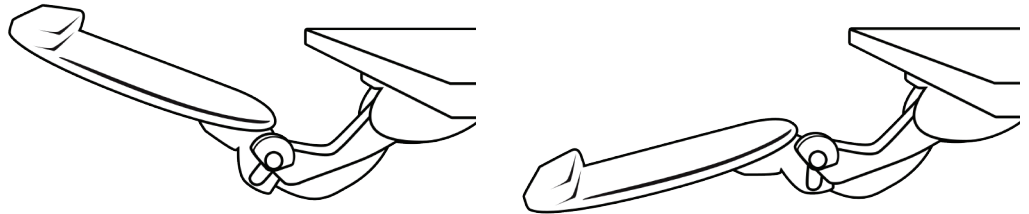
The non-slip Adhesive pads can be placed over the heads of the machine screws, or in any other position on the board.

Adjustment Guide



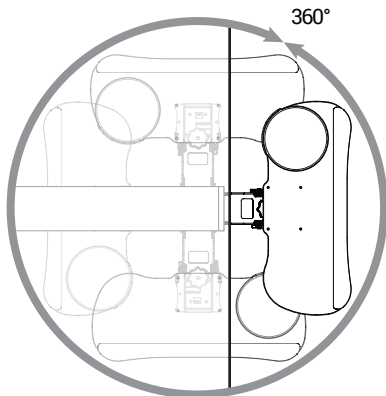
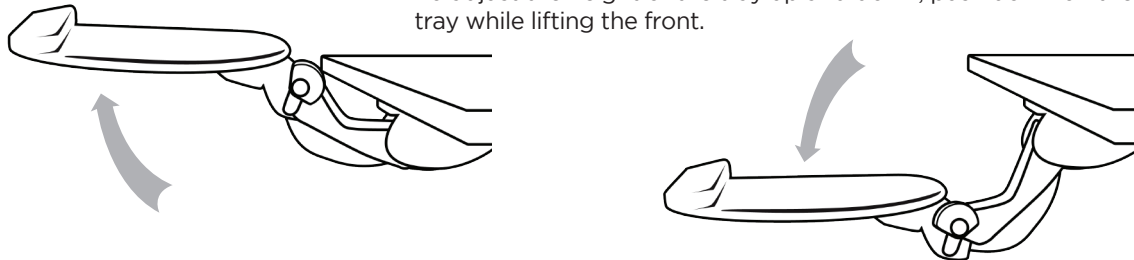
Tilt

To adjust the tilt of the tray, turn the knob at the center of the tray.



Height

To adjust the height of the tray up and down, push down on the back of the tray while lifting the front.



Rotate

The Keyboard Tray rotates at the point where the mechanism attaches to the Track. It can rotate 360 degrees.

Copyright Notice: These instructions are a component of the UPLIFT Large Keyboard Tray. These instructions are part of the scope of delivery, even if the item is resold. These instructions are also available on the UPLIFT Desk website: upliftdesk.com. Excerpts or copies may not be forwarded to third parties or used in any other published form without the prior written consent of UPLIFT Desk.

These instructions are subject to United States copyright law.