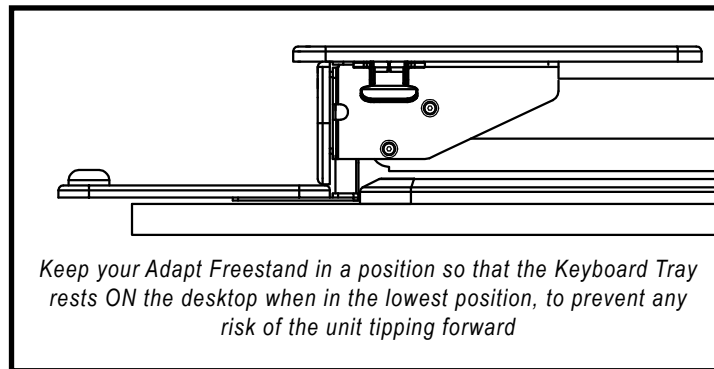
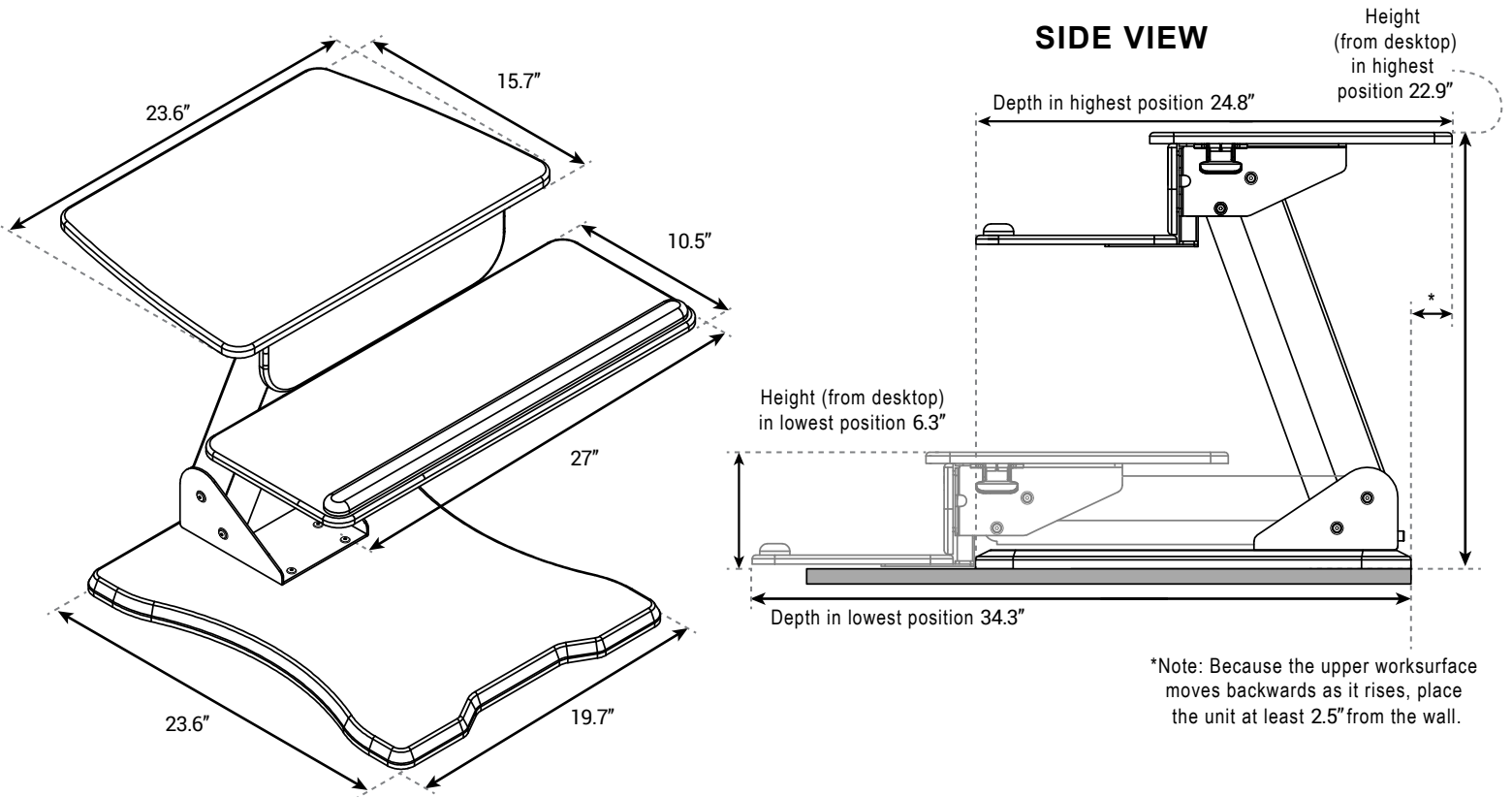


UPLIFT ADAPT FREESTAND

UPLIFT DESK®

Specifications



CAPABILITIES

Height Range	16.7"
Adjustment Type	Pneumatic
Weight	55 lbs
Weight Capacity	28.6 lbs
Color	Black or White Finish
Warranty	2 years

FEATURES

- Pneumatic adjustment does not require an electric outlet
- Converts any surface into a height adjustable workstation
- Counterbalances to support the weight of your equipment
- Palm rest included